



X2

Installation Manual
English

Installation manual for X2

Foreword

All operator panels are developed to satisfy the demands of human-machine communication. Built-in functions such as displaying and controlling text, dynamic indication, time channels, alarm and recipe handling are included.

The operator panel works primarily in an object-oriented way, making it easy to understand and use. Configuration is carried out on a PC using the iX Developer. The project can then be transferred and stored in the operator panel itself.

Various types of automation equipment such as PLCs, servos or drives can be connected to the operator panels. In this manual, the term “the controller” refers to the connected equipment.

This manual explains how to install the operator panel. Please refer to the iX Developer reference manual for further information.

Order no: MAEN202

Copyright © 2016-05 Beijer Electronics AB. All rights reserved.

The information in this document is subject to change without notice and is provided as available at the time of printing. Beijer Electronics AB, including all its group companies, reserves the right to change any information without updating this publication. Beijer Electronics AB, including all its group companies, assumes no responsibility for any errors that may appear in this document. Read the entire installation manual prior to installing and using this equipment. Only qualified personnel may install, operate or repair this equipment. Beijer Electronics AB, including all its group companies, are not responsible for modified, altered or renovated equipment. Because the equipment has a wide range of applications, users must acquire the appropriate knowledge to use the equipment properly in their specific applications. Persons responsible for the application and the equipment must themselves ensure that each application is in compliance with all relevant requirements, standards and legislation in respect to configuration and safety. Only parts and accessories manufactured according to specifications set by Beijer Electronics AB, including all its group companies, may be used.

BEIJER ELECTRONICS AB, INCLUDING ALL ITS GROUP COMPANIES, SHALL NOT BE LIABLE TO ANYONE FOR ANY DIRECT, INDIRECT, SPECIAL, INCIDENTAL OR CONSEQUENTIAL DAMAGES RESULTING FROM THE INSTALLATION, USE OR REPAIR OF THIS EQUIPMENT, WHETHER ARISING IN TORT, CONTRACT, OR OTHERWISE. BUYER'S SOLE REMEDY SHALL BE THE REPAIR, REPLACEMENT, OR REFUND OF PURCHASE PRICE, AND THE CHOICE OF THE APPLICABLE REMEDY SHALL BE AT THE SOLE DISCRETION OF BEIJER ELECTRONICS AB, INCLUDING ALL ITS GROUP COMPANIES.

Contents

1	Safety Precautions	4
1.1	General	4
1.2	Disposal Requirements Under WEEE Regulations	4
1.3	UL and cUL Installation	5
1.4	During Installation	6
1.5	During Use	6
1.6	Service and Maintenance	6
1.7	Dismantling and Scrapping	6
1.8	Appearance of Air in Touch Screen	7
2	Naming Convention	8
3	Installation	9
3.1	Space Requirements	9
3.1.1	4" X2	9
3.1.2	7" X2	10
3.1.3	10" X2	11
3.1.4	12" X2	12
3.1.5	15" X2	13
3.1.6	21" X2	14
3.2	Installation Process	15
3.2.1	Connections to the Controller	17
3.2.2	Other Connections and Peripherals	18
4	Technical Data	19
5	Chemical Resistance	40
5.1	Metal Casing	40
5.2	Touch Screen and Overlay Material	41
5.2.1	Autoflex EBA 180L	41
5.2.2	Touch Screen Surface (for 10", 12" and 15" Panels)	42
5.2.3	Touch Screen Protector	42
6	Operator Panel Drawings	43
6.1	Connectors	43
6.2	Communication Ports	45
6.3	Digital Outputs	46
6.4	X2 Outline	47
7	Additional Installation Tips	54
7.1	Grounding the operator panel	54
7.2	Ethernet Connection in the Operator Panel	55
7.3	To Achieve Better EMC Protection	57
7.4	Ambient Temperature	58
7.5	Safety	59
7.6	Galvanic Isolation	60
7.7	Cable and Bus Termination RS485	61

1 Safety Precautions

Both the installer and the owner and/or operator of the operator panel must read and understand this installation manual.

1.1 General

- Read the safety precautions carefully.
- Check the delivery for transportation damage. If damage is found, notify the supplier as soon as possible.
- Do not use the operator panel in an environment with high explosive hazards.
- The supplier is not responsible for modified, altered or reconstructed equipment.
- Use only parts and accessories manufactured according to specifications of the supplier.
- Read the installation and operating instructions carefully before installing, using or repairing the operator panel.
- Never allow fluids, metal filings or wiring debris to enter any openings in the operator panel. This may cause fire or electrical shock.
- Only qualified personnel may operate the operator panel.
- Storing the operator panel where the temperature is lower/higher than recommended in this manual can cause the LCD display liquid to congeal/become isotopic.
- The LCD display liquid contains a powerful irritant. In case of skin contact, wash immediately with plenty of water. In case of eye contact, hold the eye open, flush with plenty of water and get medical attention.
- The figures in this manual serves an illustrative purpose. Because of the many variables associated with any particular installation, the supplier cannot assume responsibility for actual use based on the figures.
- The supplier neither guarantees that the operator panel is suitable for your particular application, nor assumes responsibility for your product design, installation or operation.
- It is recommended to turn on and shut down the operator panel at least once before installing any components/cards or before connecting the operator panel to external devices, like for example serial devices.
- For Marine panels only:
 - The operator panel must be installed and operated as described in this document to meet this certification.
 - Observe precautions for handling electrostatic discharge sensitive devices

1.2 Disposal Requirements Under WEEE Regulations

For professional users in the European Union: If you wish to discard electrical and electronic equipment (EEE), please contact your dealer or supplier for further information.

For disposal in countries outside of the European Union: If you wish to discard this product please contact your local authorities or dealer and ask for the correct method of disposal.

1.3 UL and cUL Installation

Caution:

This section is only valid for UL labeled X2 panels.

- This equipment is suitable for use in Class 2 non-hazardous locations only. [Combinations of equipment in your system are subject to investigation by the local authority having jurisdiction at the time of installation].
- All devices have to be supplied by a Class 2 power supply.



Warning:

Only UL and cUL approved expansion units are allowed to be connected to the port designated "EXPANSION". At the moment there are no such units evaluated or allowed.

SEULES LES UNITÉS D'EXTENSION CERTIFIÉES UL ET
cUL PEUVENT ÊTRE RACCORDÉES AU PORT DÉSIGNÉ « EXPANSION ».
À L'HEURE ACTUELLE, AUCUNE UNITÉ DE CE TYPE N'A ÉTÉ TESTÉE
OU AUTORISÉE.

- This product contains a battery; this must only be changed in an area known to be non-hazardous.
- Replace the battery with a BR 2032 battery. Use of another type of battery may present a risk of fire or explosion.



Warning:

Battery may explode if mistreated. Do not recharge, disassemble or dispose of in fire.

This product contains a BR2330A battery that is not user replaceable.

LA BATTERIE PEUT EXPLOSER EN CAS DE MAUVAISE MANIPULATION.
NE LA RECHARGEZ PAS, NE LA DÉMONTÉZ PAS ET NE LA JETÉZ
PAS DANS LE FEU.

CE PRODUIT CONTIENT UNE PILE BR2330A QUI NE PEUT PAS ÊTRE
REPLACÉE PAR L'UTILISATEUR.

- For use on a flat surface of a type 4X enclosure indoor use only.
- Use minimum 75°C copper conductors only.
- To make wiring connections to the power supply connector, follow the table with cable and torque specifications below:

Terminal Block Connector	Wire Size AWG	TQLb.In.
X1/X100 Phoenix connectors	AWG 30-12	5-7
X1/X100 Anytek connectors	AWG 24-12	3.5
X1/X100 DECA connectors	AWG 24-12	7

- These devices are Class 2 supplied programmable controllers (industrial PCs) for the use in industrial control equipment and are intended to be (front) panel mounted (Type 12 and 4x for indoor use only).

Caution:

The enclosure provides a degree of protection of at least IP20, but when installed in an apparatus, it should meet IP65.

LE BOÎTIER OFFRE UN DEGRÉ DE PROTECTION D'AU MOINS IP20, MAIS LORSQU'IL EST INSTALLÉ DANS UN APPAREIL, IL DOIT ÊTRE DE CLASSE IP65.

1.4 During Installation

- The operator panel is designed for stationary installation on a planar surface, where the following conditions are fulfilled:
 - no high explosive risks
 - no strong magnetic fields
 - no direct sunlight
 - no large, sudden temperature changes
- Install the operator panel according to the accompanying installation instructions.
- Ground the operator panel according to the accompanying installation instructions.
- Only qualified personnel may install the operator panel.
- Separate the high voltage, signal and supply cables.
- Make sure that the voltage and polarity of the power source is correct before connecting the operator panel to the power outlet.
- Peripheral equipment must be appropriate for the application and location.

1.5 During Use

- Keep the operator panel clean.
- Emergency stop and other safety functions may not be controlled from the operator panel.
- Do not use excessive force or sharp objects when operating the touch screen.

1.6 Service and Maintenance

- Only qualified personnel should carry out repairs.
- The agreed warranty applies.
- Before carrying out any cleaning or maintenance operations, disconnect the equipment from the electrical supply.
- Clean the display and surrounding front cover with a soft cloth and mild detergent.
- Replacing the battery incorrectly may result in explosion. Only use batteries recommended by the supplier. During the warranty period, the battery needs to be replaced by an authorized Beijer Electronics service center.

1.7 Dismantling and Scrapping

- The operator panel or parts thereof shall be recycled according to local regulations.
- The following components contain substances that might be hazardous to health and the environment: lithium battery, electrolytic capacitor and display.

1.8 Appearance of Air in Touch Screen

The layer structure of the touch screen contains air and in rare cases appearance of bubbles can arise. This is purely cosmetic and does not affect any functionality of the operator panel. The appearance can occur under certain environmental conditions such as temperature, humidity, and atmospheric pressure.

2 Naming Convention

The name of each panel is based on its properties according to the table below.

X2 family	Size (inches)	Platform	Other
pro	4	B2	SC = SoftControl
marine (= with BL)	7		SM = SoftMotion
control (= with SC)	10		HB = High Brightness
motion (= with SM)	12		Key = Key panel
	15		HP = High performance
	21		BL = Black "Brand" = any branded front

Examples:

X2 pro 7 - B2

X2 control 10 - B2

X2 marine 12 - B2 SC

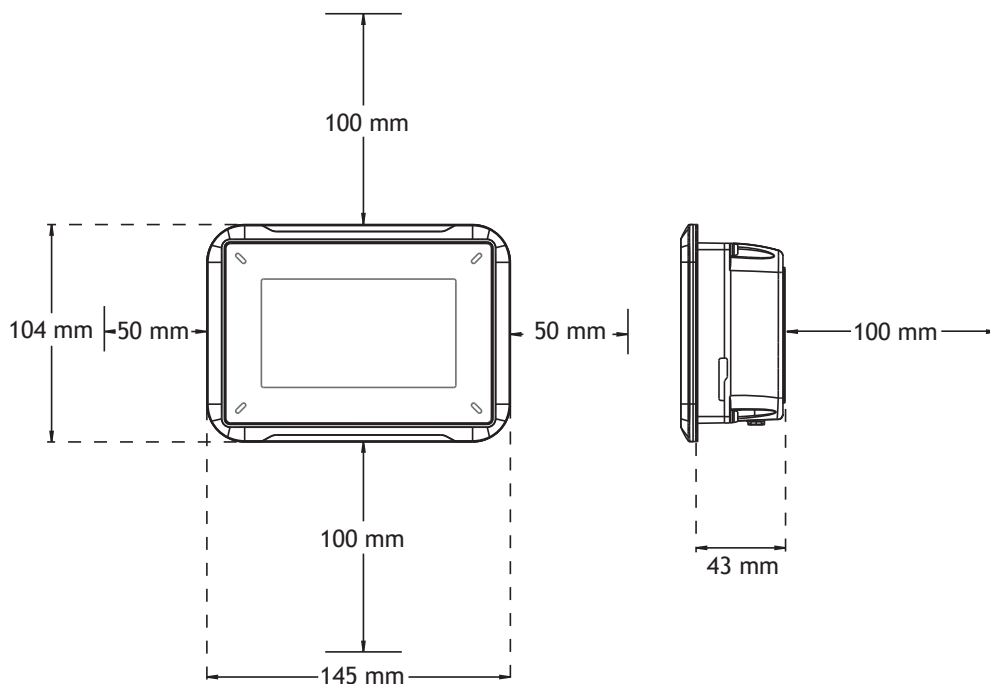
Not all combinations are available.

3 Installation

3.1 Space Requirements

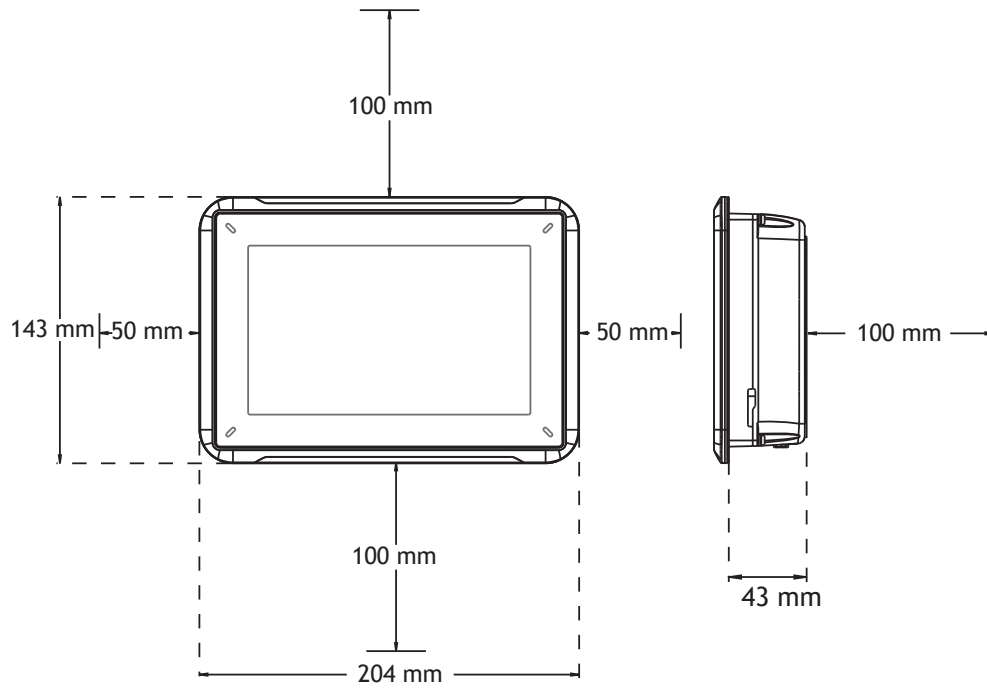
- Maximum installation plate thickness for 4.3" and 7.0": 11 mm, 10.0": 7 mm and other sizes: 8 mm
- The following drawings show the space requirements in millimeters when installing the operator panel. The drawings are only illustrative and may be out of proportion.

3.1.1 4" X2



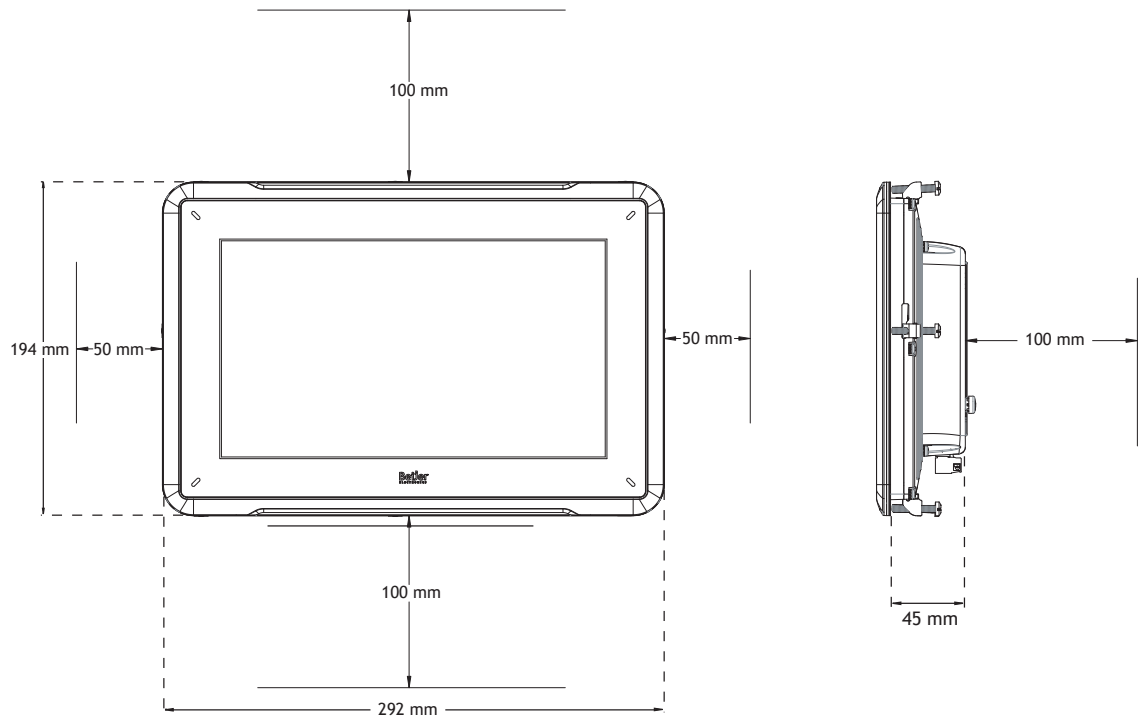
X2 pro 4 - B2
X2 control 4 - B2
X2 motion 4 - B2

3.1.2 7" X2



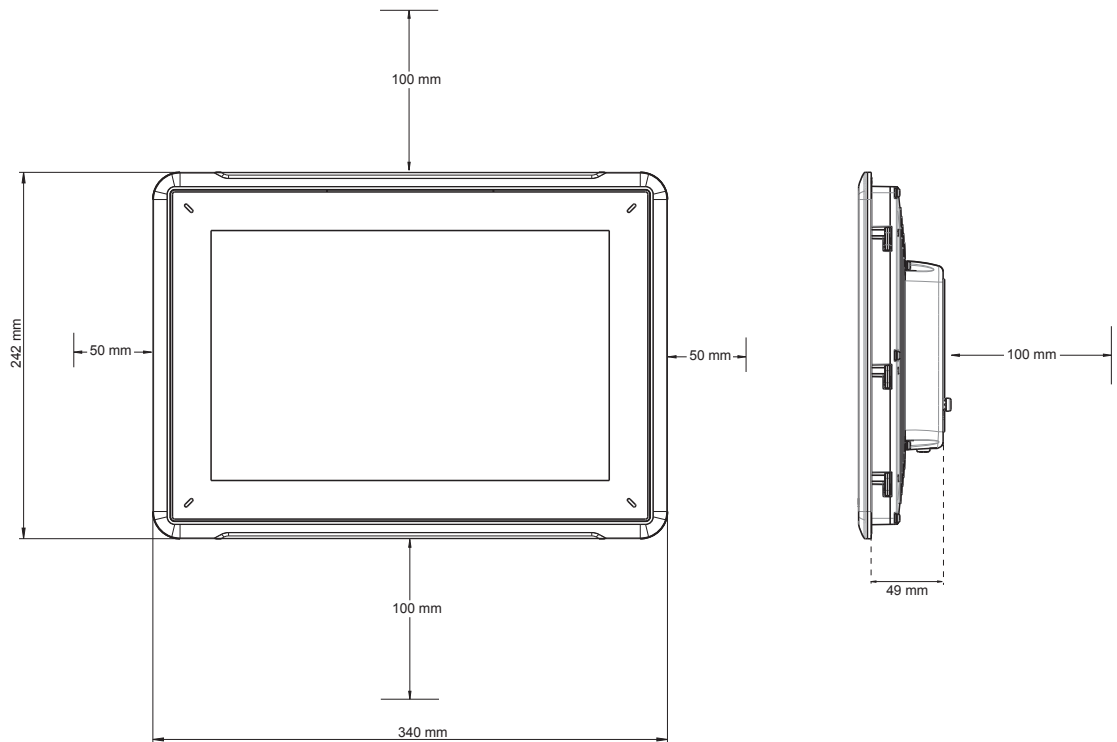
X2 pro 7 - B2
X2 control 7 - B2
X2 motion 7 - B2
X2 marine 7 - B2
X2 marine 7 - B2 SC
X2 marine 7 - B2 HB
X2 marine 7 - B2 HB SC

3.1.3 10" X2



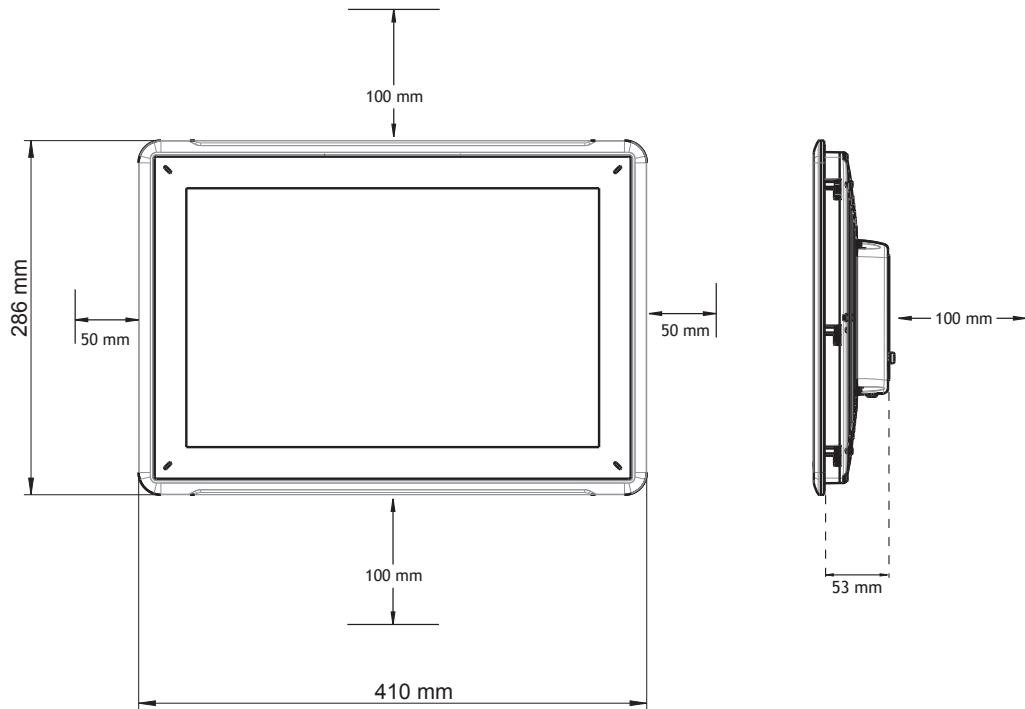
X2 pro 10 - B2
X2 control 10 - B2
X2 motion 10 - B2

3.1.4 12" X2



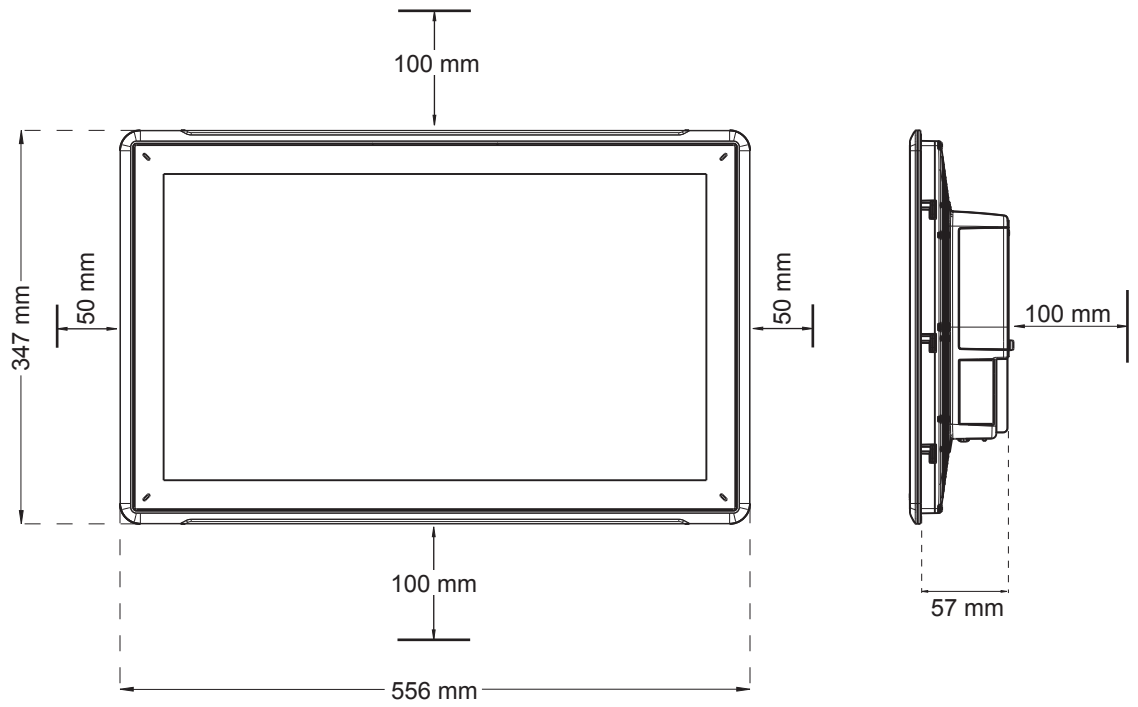
X2 pro 12 - B2
X2 control 12 - B2
X2 motion 12 - B2

3.1.5 15" X2



- X2 pro 15 - B2*
- X2 control 15 - B2*
- X2 motion 15 - B2*
- X2 marine 15 - B2*
- X2 marine 15 - B2 SC*
- X2 marine 15 - B2 HB*
- X2 marine 15 - B2 HB SC*

3.1.6 21" X2



X2 pro 21 - B2

3.2 Installation Process

The following is needed:

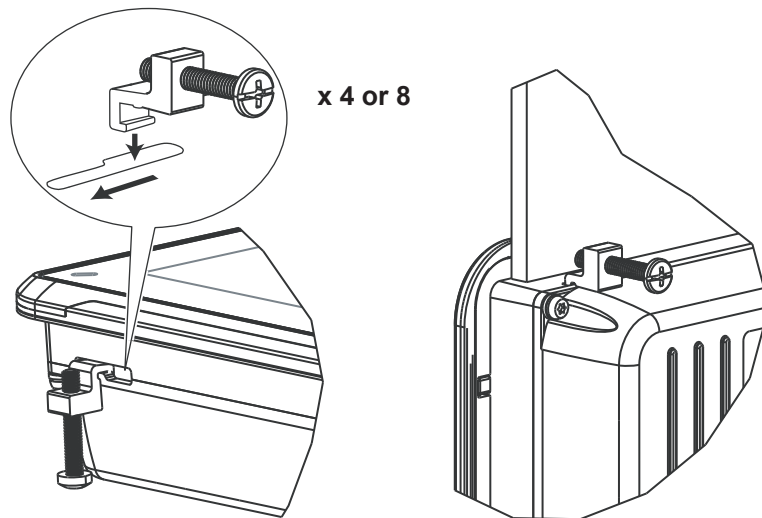
- A Phillips/slot screwdriver
1. Unpack and check the delivery. If damage is found, notify the supplier.

Note:

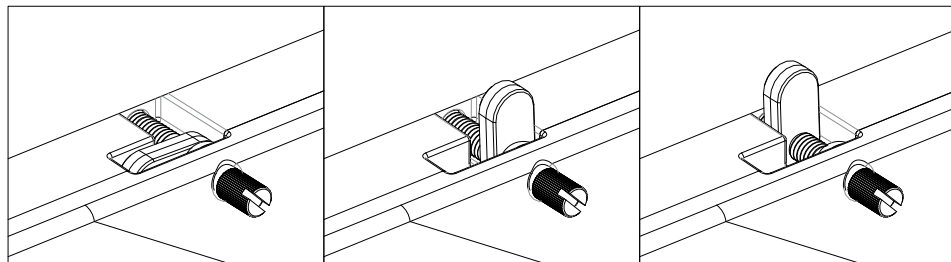
Place the operator panel on a stable surface during installation.
Dropping the operator panel or letting it fall may cause damage.

2. To cut a correct opening for the operator panel, use the cut out dimensions in the outline drawing. A separate cut out drawing is available for download from the Beijer Electronics web site. For more information, see sections [Operator Panel Drawings](#) and [Technical Data](#).
3. Install the operator panel into the cutout.

- Secure the operator panel in position by screwing the slotted thumb screw clockwise, allowing the built-in bracket to flip out and tighten against the cabinet.



*For 4.3", 7.0" and 10.0" panels.
Tighten the screws to 0.5 - 1.0 Nm.*



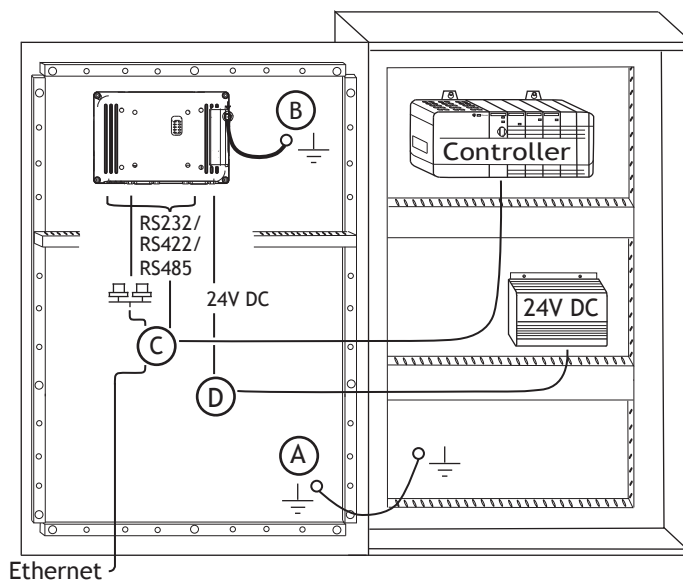
*For 12.1", 15.0" and 21.5" panels.
Tighten the screws to 0.7 Nm ± 0.2 Nm.*

- Secure the operator panel in position using the built-in brackets or screws, depending on the panel type.
- In cases where the front panel seal (IP54 or greater, NEMA-4X) is critical, a torque wrench should be used to ensure all screws are torqued within the specification above.

7. Connect the cables in the specified order, according to the drawing and steps below.

Caution:

- The operator panel must be brought to ambient temperature before it is started up. If condensation forms, ensure that the operator panel is dry before connecting it to the power outlet.
 - Ensure that the operator panel and the controller system have the same electrical grounding (reference voltage level), otherwise errors in communication may occur.
 - Ensure that the voltage and polarity of the power source is correct.
 - Separate high voltage cables from signal and supply cables.
 - Shielded communication cables are recommended.
-



The image is illustrative only and may differ slightly from the actual panel.

- Connect cable A.
 - Connect cable B, using an M5 screw and a grounding conductor (as short as possible), that is sized correctly according to local electrical codes.
 - Connect cable C.
 - Connect cable D. The recommended cross-section of the cable is 1.5 mm.
8. Carefully remove the protective film over the operator panel display, take care to avoid static electricity that could damage the panel.

3.2.1 Connections to the Controller

For information about the cables to be used when connecting the operator panel to the controller, please refer to the help file for the driver in question.

3.2.2 Other Connections and Peripherals

Cables, peripheral equipment and accessories must be suitable for the application and its environment. For further details or recommendations, please refer to the supplier.

4 Technical Data

Parameter	X2 pro 4 - B2	X2 control/motion 4 - B2
Front panel, W x H x D	145 x 104 x 7 mm	145 x 104 x 7 mm
Cut out dimensions, W x H	130 x 89 mm	130 x 89 mm
Mounting depth	43 mm (143 mm including clearance)	43 mm (143 mm including clearance)
Standalone mounting	VESA 50 x 50 Note: Maximum screw length for VESA mounting is 4 mm. Usage of longer screws may lead to damage.	VESA 50 x 50 Note: Maximum screw length for VESA mounting is 4 mm. Usage of longer screws may lead to damage.
Front panel seal	IP 66	IP 66
Rear panel seal	IP 20	IP 20
Touch screen material	Polyester on glass, ITO film, resistive	Polyester on glass, ITO film, resistive
Frame overlay	Autoflex EBA 180L	Autoflex EBA 180L
Touch screen operations	1 million finger touch operations	1 million finger touch operations
Reverse side material	Powder-coated aluminum	Powder-coated aluminum
Frame material	Powder-coated aluminum	Powder-coated aluminum
Weight	0.5 kg	0.5 kg
CPU	i.MX6Solo Single Cortex-A9 1.0 GHz 512 kB L2 cache	i.MX6DualLite Dual Cortex-A9 1.0 GHz 512 kB L2 cache
Serial port for COM1 RS232, COM2 RS422/RS485 and COM3 RS485	9-pin D-sub contact with RS232 RTS/CTS, chassis-mounted female with standard locking screws 4-40 UNC	9-pin D-sub contact with RS232 RTS/CTS, chassis-mounted female with standard locking screws 4-40 UNC
Ethernet LAN A	10/100 Mbit/s (shielded RJ45)	10/100 Mbit/s (shielded RJ45)
Ethernet LAN B	N/A	10/100 Mbit/s (shielded RJ45)
USB	1 x USB Host 2.0, max output current 500 mA	1 x USB Host 2.0, max output current 500 mA
DIO (outputs, potential free)	N/A	N/A
External storage media	1 x SD card	1 x SD card
Flash memory (application memory)	1.5 GB SSD (eMMC)	1.5 GB SSD (eMMC)
Memory RAM	512 MB (DDR3)	1 GB (DDR3)

Parameter	X2 pro 4 - B2	X2 control/motion 4 - B2
NVRAM	N/A	128 kB
LED	1 × Multi color	1 × Multi color
Real time clock	Yes	Yes
Battery	Lithium battery type BR 2032, exchangeable	Lithium battery type BR 2032, exchangeable
Power consumption at rated voltage	12 W	12 W
Fuse	Internal DC fuse, 3.14 AT, 5 × 20 mm	Internal DC fuse, 3.14 AT, 5 × 20 mm
Power supply	+24 V DC (18 to 32 V DC) CE: The power supply must conform with the requirements according to IEC 60950 and IEC 61558-2-4 UL and cUL: The power supply must conform with the requirements for class II power supplies	+24 V DC (18 to 32 V DC) CE: The power supply must conform with the requirements according to IEC 60950 and IEC 61558-2-4 UL and cUL: The power supply must conform with the requirements for class II power supplies
Display	TFT-LCD with LED backlight, 800 × 480 pixels, 64k colors	TFT-LCD with LED backlight, 800 × 480 pixels, 64k colors
Active area of display, W × H	4.3" diagonal	4.3" diagonal
Pixel errors	Class I (ISO 9241-307)	Class I (ISO 9241-307)
Backlight brightness	300 cd/m ²	300 cd/m ²
Backlight lifetime	50,000 hours	50,000 hours
Operating temperature	-10 °C to +60 °C	-10 °C to +60 °C
Storage temperature	-20 °C to +70 °C	-20 °C to +70 °C
Relative humidity in operation	5% - 85% non-condensed	5% - 85% non-condensed
Vibration	1g, according to IEC 60068-2-6, Test Fc	1g, according to IEC 60068-2-6, Test Fc
Mechanical shock	15g, half-sine, 11ms according to IEC60068-2-27	15g, half-sine, 11ms according to IEC60068-2-27
Approvals and certifications	CE / FCC / KC Information is available on www.beijerelectronics.com	CE / FCC / KC Information is available on www.beijerelectronics.com

Parameter	X2 pro 4 - B2	X2 control/motion 4 - B2
UL approval	Yes, information available at UL.com	Yes, information available at UL.com
Marine certificates	Information is available on www.beijerelectronics.com	Information is available on www.beijerelectronics.com

Parameter	X2 pro 7 - B2	X2 control/motion 7 - B2
Front panel, W x H x D	204 x 143 x 7 mm	204 x 143 x 7 mm
Cut out dimensions, W x H	189 x 128 mm	189 x 128 mm
Mounting depth	43 mm (143 mm including clearance)	43 mm (143 mm including clearance)
Standalone mounting	VESA 75 x 75 Note: Maximum screw length for VESA mounting is 4 mm. Usage of longer screws may lead to damage.	VESA 75 x 75 Note: Maximum screw length for VESA mounting is 4 mm. Usage of longer screws may lead to damage.
Front panel seal	IP 65	IP 65
Rear panel seal	IP 20	IP 20
Touch screen material	Polyester on glass, ITO film, resistive	Polyester on glass, ITO film, resistive
Frame overlay	Autoflex EBA 180L	Autoflex EBA 180L
Touch screen operations	1 million finger touch operations	1 million finger touch operations
Reverse side material	Powder-coated aluminum	Powder-coated aluminum
Frame material	Powder-coated aluminum	Powder-coated aluminum
Weight	0.8 kg	0.8 kg
CPU	i.MX6Solo Single Cortex-A9 1.0 GHz 512 kB L2 cache	i.MX6DualLite Dual Cortex-A9 1.0 GHz 512 kB L2 cache
Serial port for COM1 RS232, COM2 RS422/RS485 and COM3 RS485	9-pin D-sub contact with RS232 RTS/CTS, chassis-mounted female with standard locking screws 4-40 UNC	9-pin D-sub contact with RS232 RTS/CTS, chassis-mounted female with standard locking screws 4-40 UNC
Ethernet LAN A	10/100 Mbit/s (shielded RJ45)	10/100 Mbit/s (shielded RJ45)
Ethernet LAN B	N/A	10/100 Mbit/s (shielded RJ45)
USB	1 x USB Host 2.0, max output current 500 mA	1 x USB Host 2.0, max output current 500 mA

Parameter	X2 pro 7 - B2	X2 control/motion 7 - B2
DIO (outputs, potential free)	N/A	2 x normally open contacts
External storage media	1 × SD card	1 × SD card
Flash memory (application memory)	1.5 GB SSD (eMMC)	1.5 GB SSD (eMMC)
Memory RAM	512 MB (DDR3)	1 GB (DDR3)
NVRAM	N/A	128 kB
LED	1 × Multi color	1 × Multi color
Real time clock	Yes	Yes
Battery	Lithium battery type BR 2032, exchangeable	Lithium battery type BR 2032, exchangeable
Power consumption at rated voltage	14.4 W	14.4 W
Fuse	Internal DC fuse, 3.14 AT, 5 × 20 mm	Internal DC fuse, 3.14 AT, 5 × 20 mm
Power supply	+24 V DC (18 to 32 V DC) CE: The power supply must conform with the requirements according to IEC 60950 and IEC 61558-2-4. UL and cUL: The power supply must conform with the requirements for class II power supplies.	+24 V DC (18 to 32 V DC) CE: The power supply must conform with the requirements according to IEC 60950 and IEC 61558-2-4. UL and cUL: The power supply must conform with the requirements for class II power supplies.
Display	TFT-LCD with LED backlight 800 × 480 pixels, 64k colors	TFT-LCD with LED backlight 800 × 480 pixels, 64k colors
Active area of display, W × H	7" diagonal	7" diagonal
Pixel errors	Class I (ISO 9241-307)	Class I (ISO 9241-307)
Backlight brightness	350 cd/m ²	350 cd/m ²
Backlight lifetime	20,000 hours	20,000 hours
Operating temperature	-10 °C to +60 °C	-10 °C to +60 °C
Storage temperature	-20 °C to +70 °C	-20 °C to +70 °C
Relative humidity in operation	5% - 85% non-condensed	5% - 85% non-condensed
Vibration	1g, according to IEC 60068-2-6, Test Fc	1g, according to IEC 60068-2-6, Test Fc
Mechanical shock	15g, half-sine, 11ms according to IEC60068-2-27	15g, half-sine, 11ms according to IEC60068-2-27

Parameter	X2 pro 7 - B2	X2 control/motion 7 - B2
Approvals and certifications	CE / FCC / KC Information is available on www.beijerelectronics.com	CE / FCC / KC Information is available on www.beijerelectronics.com
UL approval	Yes, information available at UL.com	Yes, information available at UL.com
Marine certificates	Information is available on www.beijerelectronics.com	Information is available on www.beijerelectronics.com

Parameter	X2 marine 7 - B2	X2 marine 7 - B2 SC
Front panel, W x H x D	204 x 143 x 7 mm	204 x 143 x 7 mm
Cut out dimensions, W x H	189 x 128 mm	189 x 128 mm
Mounting depth	43 mm (143 mm including clearance)	43 mm (143 mm including clearance)
Standalone mounting	VESA 75 x 75 Note: Maximum screw length for VESA mounting is 4 mm. Usage of longer screws may lead to damage.	VESA 75 x 75 Note: Maximum screw length for VESA mounting is 4 mm. Usage of longer screws may lead to damage.
Front panel seal	IP 65	IP 65
Rear panel seal	IP 20	IP 20
Touch screen material	Polyester on glass, ITO film, resistive	Polyester on glass, ITO film, resistive
Frame Overlay	Autoflex EBA 180L	Autoflex EBA 180L
Touch screen operations	1 million finger touch operations	1 million finger touch operations
Reverse side material	Powder-coated aluminum	Powder-coated aluminum
Frame material	Powder-coated aluminum	Powder-coated aluminum
Weight	0.8 kg	0.8 kg
CPU	i.MX6Solo Single Cortex-A9 1.0 GHz 512 kB L2 cache	i.MX6DualLite Dual Cortex-A9 1.0 GHz 512 kB L2 cache
Serial port for COM1 RS232, COM2 RS422/RS485 and COM3 RS485	9-pin D-sub contact with RS232 RTS/CTS, chassis-mounted female with standard locking screws 4-40 UNC	9-pin D-sub contact with RS232 RTS/CTS, chassis-mounted female with standard locking screws 4-40 UNC
Ethernet LAN A	N/A	EtherCAT 10/100 Mbit/s (shielded RJ45)

Parameter	X2 marine 7 - B2	X2 marine 7 - B2 SC
Ethernet LAN B	10/100 Mbit/s (shielded RJ45)	10/100 Mbit/s (shielded RJ45)
USB	1 × USB Host 2.0, max output current 500 mA	1 × USB Host 2.0, max output current 500 mA
DIO (outputs, potential free)	N/A	2 x normally open contacts
External storage media	1 × SD card	1 × SD card
Flash memory (application memory)	1.5 GB SSD (eMMC)	1.5 GB SSD (eMMC)
Memory RAM	512 MB (DDR3)	1 GB (DDR3)
NVRAM	N/A	128 kB
LED	1 × Multi color	1 × Multi color
Real time clock	Yes	Yes
Battery	Lithium battery type BR 2032, exchangeable	Lithium battery type BR 2032, exchangeable
Power consumption at rated voltage	14.4 W	14.4 W
Fuse	Internal DC fuse, 3.14 AT, 5 × 20 mm	Internal DC fuse, 3.14 AT, 5 × 20 mm
Power supply	+24 V DC (18 to 32 VDC) CE: The power supply must conform with the requirements according to IEC 60950 and IEC 61558-2-4. UL and cUL: The power supply must conform with the requirements for class II power supplies.	+24 V DC (18 to 32 VDC) CE: The power supply must conform with the requirements according to IEC 60950 and IEC 61558-2-4. UL and cUL: The power supply must conform with the requirements for class II power supplies.
Display	TFT-LCD with LED backlight 800 × 480 pixels, 64k colors	TFT-LCD with LED backlight 800 × 480 pixels, 64k colors
Active area of display, W × H	7" diagonal	7" diagonal
Pixel errors	Class I (ISO 9241-307)	Class I (ISO 9241-307)
Backlight brightness	500 cd/m ²	500 cd/m ²
Backlight lifetime	50,000 hours	50,000 hours
Operating temperature	-10 °C to +60 °C	-10 °C to +60 °C
Storage temperature	-20 °C to +70 °C	-20 °C to +70 °C
Relative humidity in operation	5% - 85% non-condensed	5% - 85% non-condensed

Parameter	X2 marine 7 - B2	X2 marine 7 - B2 SC
Vibration	1g, according to IEC 60068-2-6, Test Fc	1g, according to IEC 60068-2-6, Test Fc
Mechanical shock	15g, half-sine, 11ms according to IEC60068-2-27	15g, half-sine, 11ms according to IEC60068-2-27
Approvals and certifications	CE / FCC / KC Information is available on www.beijerelectronics.com	CE / FCC / KC Information is available on www.beijerelectronics.com
UL approval	Yes, information available at UL.com	Yes, information available at UL.com
Marine certificates	Information is available on www.beijerelectronics.com	Information is available on www.beijerelectronics.com

Parameter	X2 marine 7 - B2 HB	X2 marine 7 - B2 HB SC
Front panel, W x H x D	204 x 143 x 7 mm	204 x 143 x 7 mm
Cut out dimensions, W x H	189 x 128 mm	189 x 128 mm
Mounting depth	43 mm (143 mm including clearance)	43 mm (143 mm including clearance)
Standalone mounting	VESA 75 x 75 Note: Maximum screw length for VESA mounting is 4 mm. Usage of longer screws may lead to damage.	VESA 75 x 75 Note: Maximum screw length for VESA mounting is 4 mm. Usage of longer screws may lead to damage.
Front panel seal	IP 65	IP 65
Rear panel seal	IP 20	IP 20
Touch screen material	Polyester on glass, ITO film, resistive	Polyester on glass, ITO film, resistive
Frame Overlay	Autoflex EBA 180L	Autoflex EBA 180L
Touch screen operations	1 million finger touch operations	1 million finger touch operations
Reverse side material	Powder-coated aluminum	Powder-coated aluminum
Frame material	Powder-coated aluminum	Powder-coated aluminum
Weight	0.8 kg	0.8 kg
CPU	i.MX6Quad Quad ARM Cortex-A9 1.0 GHz 1 MB L2 cache	i.MX6Quad Quad ARM Cortex-A9 1.0 GHz 1 MB L2 cache

Parameter	X2 marine 7 - B2 HB	X2 marine 7 - B2 HB SC
Serial port for COM1 RS232, COM2 RS422/RS485 and COM3 RS485	9-pin D-sub contact with RS232 RTS/CTS, chassis-mounted female with standard locking screws 4-40 UNC	9-pin D-sub contact with RS232 RTS/CTS, chassis-mounted female with standard locking screws 4-40 UNC
Ethernet LAN A	10/100 Mbit/s (shielded RJ45)	EtherCAT 10/100 Mbit/s (shielded RJ45)
Ethernet LAN B	N/A	10/100 Mbit/s (shielded RJ45)
USB	1 × USB Host 2.0, max output current 500 mA	1 × USB Host 2.0, max output current 500 mA
DIO (outputs, potential free)	2 x normally open contacts	2 x normally open contacts
External storage media	1 × SD card	1 × SD card
Flash memory (application memory)	1.5 GB SSD (eMMC)	1.5 GB SSD (eMMC)
Memory RAM	1 GB (DDR3)	1 GB (DDR3)
NVRAM	N/A	128 kB
LED	1 × Multi color	1 × Multi color
Real time clock	Yes	Yes
Battery	Lithium battery type BR 2032, exchangeable	Lithium battery type BR 2032, exchangeable
Power consumption at rated voltage	21.6 W	21.6 W
Fuse	Internal DC fuse, 3.14 AT, 5 × 20 mm	Internal DC fuse, 3.14 AT, 5 × 20 mm
Power supply	+24 V DC (18 to 32 V DC) CE: The power supply must conform with the requirements according to IEC 60950 and IEC 61558-2-4. UL and cUL: The power supply must conform with the requirements for class II power supplies.	+24 V DC (18 to 32 V DC) CE: The power supply must conform with the requirements according to IEC 60950 and IEC 61558-2-4. UL and cUL: The power supply must conform with the requirements for class II power supplies.
Display	TFT-LCD with LED backlight 1000 cd/m ² 800 × 480 pixels, 64k colors	TFT-LCD with LED backlight 1000 cd/m ² 800 × 480 pixels, 64k colors
Active area of display, W × H	152.4 × 91.4 mm	152.4 × 91.4 mm
Pixel errors	Class I (ISO 9241-307)	Class I (ISO 9241-307)
Backlight brightness	1000 cd/m ²	1000 cd/m ²

Parameter	X2 marine 7 - B2 HB	X2 marine 7 - B2 HB SC
Backlight lifetime	50,000 hours	50,000 hours
Operating temperature	-10° C to +60° C	-10° C to +60° C
Storage temperature	-20° C to +70° C	-20° C to +70° C
Relative humidity in operation	5% - 85% non-condensed	5% - 85% non-condensed
Vibration	1g, according to IEC 60068-2-6, Test Fc	1g, according to IEC 60068-2-6, Test Fc
Mechanical shock	15g, half-sine, 11ms according to IEC60068-2-27	15g, half-sine, 11ms according to IEC60068-2-27
Approvals and certifications	CE / FCC / KC Information is available on www.beijerelectronics.com	CE / FCC / KC Information is available on www.beijerelectronics.com
UL approval	Yes, information available at UL.com	Yes, information available at UL.com
Marine certificates	Information is available on www.beijerelectronics.com	Information is available on www.beijerelectronics.com

Parameter	X2 pro 10 - B2	X2 control/motion 10 - B2
Front panel, W x H x D	292 x 194 x 7 mm	292 x 194 x 7 mm
Cut out dimensions, W x H	275 x 177 mm	275 x 177 mm
Mounting depth	45 mm (145 mm including clearance)	45 mm (145 mm including clearance)
Standalone mounting	VESA 75 x 75 Note: Maximum screw length for VESA mounting is 4 mm. Usage of longer screws may lead to damage.	VESA 75 x 75 Note: Maximum screw length for VESA mounting is 4 mm. Usage of longer screws may lead to damage.
Front panel seal	IP 65	IP 65
Rear panel seal	IP 20	IP 20
Touch screen material	Polyester on glass, ITO film, resistive	Polyester on glass, ITO film, resistive
Frame overlay	Autoflex EBA 180L	Autoflex EBA 180L
Touch screen operations	1 million finger touch operations	1 million finger touch operations
Reverse side material	Powder-coated aluminum	Powder-coated aluminum
Frame material	Powder-coated aluminum	Powder-coated aluminum
Weight	1.65 kg	1.65 kg

Parameter	X2 pro 10 - B2	X2 control/motion 10 - B2
CPU	i.MX6DualLite Dual Cortex-A9 1.0 GHz 512 kB L2 cache	i.MX6Quad Quad ARM Cortex-A9 1.0 GHz 1 MB L2 cache
Serial port for COM1 RS232, COM2 RS422/RS485 and COM3 RS485	9-pin D-sub contact with RS232 RTS/CTS, chassis-mounted female with standard locking screws 4-40 UNC	9-pin D-sub contact with RS232 RTS/CTS, chassis-mounted female with standard locking screws 4-40 UNC
Ethernet LAN A	10/100 Mbit/s (shielded RJ45)	EtherCAT 10/100 Mbit/s (shielded RJ45)
Ethernet LAN B	10/100 Mbit/s (shielded RJ45)	10/100 Mbit/s (shielded RJ45)
USB	2 × USB Host 2.0, max output current 500 mA	2 × USB Host 2.0, max output current 500 mA
DIO (outputs, potential free)	N/A	2 x normally open contacts
External storage media	1 × SD card	1 × SD card
Flash memory (application memory)	1.5 GB SSD (eMMC)	1.5 GB SSD (eMMC)
Memory RAM	1 GB (DDR3)	2 GB (DDR3)
NVRAM	N/A	128 kB
LED	1 × Multi color	1 × Multi color
Real time clock	Yes	Yes
Battery	Lithium battery type BR 2032, exchangeable	Lithium battery type BR 2032, exchangeable
Power consumption at rated voltage	21.6 W	21.6 W
Fuse	Internal DC fuse, 4 AT, 5 × 20 mm	Internal DC fuse, 4 AT, 5 × 20 mm
Power supply	+24 V DC (18 to 32 V DC) CE: The power supply must conform with the requirements according to IEC 60950 and IEC 61558-2-4. UL and cUL: The power supply must conform with the requirements for class II power supplies.	+24 V DC (18 to 32 V DC) CE: The power supply must conform with the requirements according to IEC 60950 and IEC 61558-2-4. UL and cUL: The power supply must conform with the requirements for class II power supplies.
Display	TFT-LCD with LED backlight 1024 × 600 pixels, 262k colors	TFT-LCD with LED backlight 1024 × 600 pixels, 262k colors

Parameter	X2 pro 10 - B2	X2 control/motion 10 - B2
Active area of display, W×H	222.72 x 125.28 mm	222.72 x 125.28 mm
Pixel errors	Class I (ISO 9241-307)	Class I (ISO 9241-307)
Backlight brightness	500 cd/m ²	500 cd/m ²
Backlight lifetime	50,000 hours	50,000 hours
Operating temperature	-10° C to +60° C	-10° C to +60° C
Storage temperature	-20° C to +70° C	-20° C to +70° C
Relative humidity in operation	5% - 85% non-condensed	5% - 85% non-condensed
Vibration	1g, according to IEC 60068-2-6, Test Fc	1g, according to IEC 60068-2-6, Test Fc
Mechanical shock	15g, half-sine, 11ms according to IEC60068-2-27	15g, half-sine, 11ms according to IEC60068-2-27
Approvals and certifications	CE / FCC / KC Information is available on www.beijerelectronics.com	CE / FCC / KC Information is available on www.beijerelectronics.com
UL approval	Yes, information available at UL.com	Yes, information available at UL.com
Marine certificates	Information is available on www.beijerelectronics.com	Information is available on www.beijerelectronics.com

Parameter	X2 pro 12 - B2	X2 control/motion 12 - B2
Front panel, W×H×D	340x242 x 8 mm	340x242 x 8 mm
Cut out dimensions, W×H	324 x 226 mm	324 x 226 mm
Mounting depth	49 mm (149 mm including clearance)	49 mm (149 mm including clearance)
Standalone mounting	VESA 75 x 75 Note: Maximum screw length for VESA mounting is 4 mm. Usage of longer screws may lead to damage.	VESA 75 x 75 Note: Maximum screw length for VESA mounting is 4 mm. Usage of longer screws may lead to damage.
Front panel seal	IP 65	IP 65
Rear panel seal	IP 20	IP 20
Touch screen material	Polyester on glass, ITO film, resistive	Polyester on glass, ITO film, resistive
Frame overlay	Autoflex EBA 180L	Autoflex EBA 180L
Touch screen operations	1 million finger touch operations	1 million finger touch operations
Reverse side material	Powder-coated aluminum	Powder-coated aluminum

Parameter	X2 pro 12 - B2	X2 control/motion 12 - B2
Frame material	Powder-coated aluminum	Powder-coated aluminum
Weight	2.6 kg	2.6 kg
CPU	i.MX6DualLite Dual Cortex-A9 1.0 GHz 512 kB L2 cache	i.MX6Quad Quad ARM Cortex-A9 1.0 GHz 1 MB L2 cache
Serial port for COM1 RS232, COM2 RS422/RS485 and COM3 RS485	9-pin D-sub contact with RS232 RTS/CTS, chassis-mounted female with standard locking screws 4-40 UNC	9-pin D-sub contact with RS232 RTS/CTS, chassis-mounted female with standard locking screws 4-40 UNC
Ethernet LAN A	10/100 Mbit/s (shielded RJ45)	EtherCAT 10/100 Mbit/s (shielded RJ45)
Ethernet LAN B	10/100 Mbit/s (shielded RJ45)	10/100 Mbit/s (shielded RJ45)
USB	2 × USB Host 2.0, max output current 500 mA	2 × USB Host 2.0, max output current 500 mA
DIO (outputs, potential free)	N/A	2 × normally open contacts
External storage media	1 × SD card	1 × SD card
Flash memory (application memory)	1.5 GB SSD (eMMC)	1.5 GB SSD (eMMC)
Memory RAM	1 GB (DDR3)	2 GB (DDR3)
NVRAM	N/A	128 kB
LED	1 × Multi color	1 × Multi color
Real time clock	Yes	Yes
Battery	Lithium battery type BR 2032, exchangeable	Lithium battery type BR 2032, exchangeable
Power consumption at rated voltage	28.8 W	28.8 W
Fuse	Internal DC fuse, 4 AT, 5 × 20 mm	Internal DC fuse, 4 AT, 5 × 20 mm
Power supply	+24 V DC (18 to 32 V DC) CE: The power supply must conform with the requirements according to IEC 60950 and IEC 61558-2-4. UL and cUL: The power supply must conform with the requirements for class II power supplies.	+24 V DC (18 to 32 V DC) CE: The power supply must conform with the requirements according to IEC 60950 and IEC 61558-2-4. UL and cUL: The power supply must conform with the requirements for class II power supplies.

Parameter	X2 pro 12 - B2	X2 control/motion 12 - B2
Display	TFT-LCD with LED backlight 1280 × 800 pixels, 262k colors	TFT-LCD with LED backlight 1280 × 800 pixels, 262k colors
Active area of display, W × H	261.1 x 163.2 mm	261.1 x 163.2 mm
Pixel errors	Class I (ISO 9241-307)	Class I (ISO 9241-307)
Backlight brightness	400 cd/m ²	400 cd/m ²
Backlight lifetime	50,000 hours	50,000 hours
Operating temperature	-10° C to +60° C	-10° C to +60° C
Storage temperature	-20° C to +70° C	-20° C to +70° C
Relative humidity in operation	5% - 85% non-condensed	5% - 85% non-condensed
Vibration	1g, according to IEC 60068-2-6, Test Fc	1g, according to IEC 60068-2-6, Test Fc
Mechanical shock	15g, half-sine, 11ms according to IEC60068-2-27	15g, half-sine, 11ms according to IEC60068-2-27
Approvals and certifications	CE / FCC / KC Information is available on www.beijerelectronics.com	CE / FCC / KC Information is available on www.beijerelectronics.com
UL approval	Yes, information available at UL.com	Yes, information available at UL.com
Marine certificates	Information is available on www.beijerelectronics.com	Information is available on www.beijerelectronics.com

Parameter	X2 pro 15 - B2	X2 control/motion 15 - B2
Front panel, W x H x D	410 x 286 x 8 mm	410 x 286 x 8 mm
Cut out dimensions, W × H	394 x 270 mm	394 x 270 mm
Mounting depth	53 mm (153 mm including clearance)	53 mm (153 mm including clearance)
Standalone mounting	VESA 75 x 75 Note: Maximum screw length for VESA mounting is 4 mm. Usage of longer screws may lead to damage.	VESA 75 x 75 Note: Maximum screw length for VESA mounting is 4 mm. Usage of longer screws may lead to damage.
Front panel seal	IP 65	IP 65
Rear panel seal	IP 20	IP 20
Touch screen material	Polyester on glass, ITO film, resistive	Polyester on glass, ITO film, resistive

Parameter	X2 pro 15 - B2	X2 control/motion 15 - B2
Frame overlay	Autoflex EBA 180L	Autoflex EBA 180L
Touch screen operations	1 million finger touch operations	1 million finger touch operations
Reverse side material	Powder-coated aluminum	Powder-coated aluminum
Frame material	Powder-coated aluminum	Powder-coated aluminum
Weight	3.85 kg	3.85 kg
CPU	i.MX6DualLite Dual Cortex-A9 1.0 GHz 512 kB L2 cache	i.MX6Quad Quad ARM Cortex-A9 1.0 GHz 1 MB L2 cache
Serial port for COM1 RS232, COM2 RS422/RS485 and COM3 RS485	9-pin D-sub contact with RS232 RTS/CTS, chassis-mounted female with standard locking screws 4-40 UNC	9-pin D-sub contact with RS232 RTS/CTS, chassis-mounted female with standard locking screws 4-40 UNC
Ethernet LAN A	10/100 Mbit/s (shielded RJ45)	EtherCAT 10/100 Mbit/s (shielded RJ45)
Ethernet LAN B	10/100 Mbit/s (shielded RJ45)	10/100 Mbit/s (shielded RJ45)
USB	2 × USB Host 2.0, max output current 500 mA	2 × USB Host 2.0, max output current 500 mA
DIO (outputs, potential free)	N/A	2 x normally open contacts
External storage media	1 × SD card	1 × SD card
Flash memory (application memory)	1.5 GB SSD (eMMC)	1.5 GB SSD (eMMC)
Memory RAM	1 GB (DDR3)	2 GB (DDR3)
NVRAM	N/A	128 kB
LED	1 × Multi color	1 × Multi color
Real time clock	Yes	Yes
Battery	Lithium battery type BR 2032, exchangeable	Lithium battery type BR 2032, exchangeable
Power consumption at rated voltage	31.2 W	31.2 W
Fuse	Internal DC fuse, 4 AT, 5 × 20 mm	Internal DC fuse, 4 AT, 5 × 20 mm

Parameter	X2 pro 15 - B2	X2 control/motion 15 - B2
Power supply	+24 VDC (18 to 32 VDC) CE: The power supply must conform with the requirements according to IEC 60950 and IEC 61558-2-4. UL and cUL: The power supply must conform with the requirements for class II power supplies.	+24 VDC (18 to 32 VDC) CE: The power supply must conform with the requirements according to IEC 60950 and IEC 61558-2-4. UL and cUL: The power supply must conform with the requirements for class II power supplies.
Display	TFT-LCD with LED backlight 1280 × 800 pixels, 262k colors	TFT-LCD with LED backlight 1280 × 800 pixels, 262k colors
Active area of display, W × H	331.2 x 207 mm	331.2 x 207 mm
Pixel errors	Class I (ISO 9241-307)	Class I (ISO 9241-307)
Backlight brightness	450 cd/m ²	450 cd/m ²
Backlight lifetime	50,000 hours	50,000 hours
Operating temperature	-10 °C to +60 °C	-10 °C to +60 °C
Storage temperature	-20 °C to +70 °C	-20 °C to +70 °C
Relative humidity in operation	5% - 85% non-condensed	5% - 85% non-condensed
Vibration	1g, according to IEC 60068-2-6, Test Fc	1g, according to IEC 60068-2-6, Test Fc
Mechanical shock	15g, half-sine, 11ms according to IEC60068-2-27	15g, half-sine, 11ms according to IEC60068-2-27
Approvals and certifications	CE / FCC / KC Information is available on www.beijerelectronics.com	CE / FCC / KC Information is available on www.beijerelectronics.com
UL approval	Yes, information available at UL.com	Yes, information available at UL.com
Marine certificates	Information is available on www.beijerelectronics.com	Information is available on www.beijerelectronics.com

Parameter	X2 marine 15 - B2	X2 marine 15 - B2 SC
Front panel, W x H x D	410 x 286 x 8 mm	410 x 286 x 8 mm
Cut out dimensions, W x H	394 x 270 mm	394 x 270 mm
Mounting depth	53 mm (153 mm including clearance)	53 mm (153 mm including clearance)

Parameter	X2 marine 15 - B2	X2 marine 15 - B2 SC
Standalone mounting	VESA 75 x 75 Note: Maximum screw length for VESA mounting is 4 mm. Usage of longer screws may lead to damage.	VESA 75 x 75 Note: Maximum screw length for VESA mounting is 4 mm. Usage of longer screws may lead to damage.
Front panel seal	IP 65	IP 65
Rear panel seal	IP 20	IP 20
Touch screen material	Polyester on glass, ITO film, resistive	Polyester on glass, ITO film, resistive
Frame overlay	Autoflex EBA 180L	Autoflex EBA 180L
Touch screen operations	1 million finger touch operations	1 million finger touch operations
Reverse side material	Powder-coated aluminum	Powder-coated aluminum
Frame material	Powder-coated aluminum	Powder-coated aluminum
Weight	3.85 kg	3.85 kg
CPU	i.MX6DualLite Dual Cortex-A9 1.0 GHz 512 kB L2 cache	i.MX6Quad Quad ARM Cortex-A9 1.0 GHz 1 MB L2 cache
Serial port for COM1 RS232, COM2 RS422/RS485 and COM3 RS485	9-pin D-sub contact with RS232 RTS/CTS, chassis-mounted female with standard locking screws 4-40 UNC	9-pin D-sub contact with RS232 RTS/CTS, chassis-mounted female with standard locking screws 4-40 UNC
Ethernet LAN A	10/100 Mbit/s (shielded RJ45)	EtherCAT 10/100 Mbit/s (shielded RJ45)
Ethernet LAN B	10/100 Mbit/s (shielded RJ45)	10/100 Mbit/s (shielded RJ45)
USB	2 × USB Host 2.0, max output current 500 mA	2 × USB Host 2.0, max output current 500 mA
DIO (outputs, potential free)	N/A	2 × normally open contacts
External storage media	1 × SD card	1 × SD card
Flash memory (application memory)	1.5 GB SSD (eMMC)	1.5 GB SSD (eMMC)
Memory RAM	1 GB (DDR3)	2 GB (DDR3)
NVRAM	N/A	128 kB
LED	1 × Multi color	1 × Multi color
Real time clock	Yes	Yes
Battery	Lithium battery type BR 2032, exchangeable	Lithium battery type BR 2032, exchangeable

Parameter	X2 marine 15 - B2	X2 marine 15 - B2 SC
Power consumption at rated voltage	31.2 W	31.2 W
Fuse	Internal DC fuse, 4 AT, 5 × 20 mm	Internal DC fuse, 4 AT, 5 × 20 mm
Power supply	+24 V DC (18 to 32 V DC) CE: The power supply must conform with the requirements according to IEC 60950 and IEC 61558-2-4. UL and cUL: The power supply must conform with the requirements for class II power supplies.	+24 V DC (18 to 32 V DC) CE: The power supply must conform with the requirements according to IEC 60950 and IEC 61558-2-4. UL and cUL: The power supply must conform with the requirements for class II power supplies.
Display	TFT-LCD with LED backlight 1280 × 800 pixels, 262k colors	TFT-LCD with LED backlight 1280 × 800 pixels, 262k colors
Active area of display, W × H	331.2 x 207 mm	331.2 x 207 mm
Pixel errors	Class I (ISO 9241-307)	Class I (ISO 9241-307)
Backlight brightness	450 cd/m ²	450 cd/m ²
Backlight lifetime	50,000 hours	50,000 hours
Operating temperature	-10 ° C to +60 ° C	-10 ° C to +60 ° C
Storage temperature	-20 ° C to +70 ° C	-20 ° C to +70 ° C
Relative humidity in operation	5% - 85% non-condensed	5% - 85% non-condensed
Vibration	1g, according to IEC 60068-2-6, Test Fc	1g, according to IEC 60068-2-6, Test Fc
Mechanical shock	15g, half-sine, 11ms according to IEC60068-2-27	15g, half-sine, 11ms according to IEC60068-2-27
Approvals and certifications	CE / FCC / KC Information is available on www.beijerelectronics.com	CE / FCC / KC Information is available on www.beijerelectronics.com
UL approval	Yes, information available at UL.com	Yes, information available at UL.com
Marine certificates	Information is available on www.beijerelectronics.com	Information is available on www.beijerelectronics.com

Parameter	X2 marine 15 - B2 HB	X2 marine 15 - B2 HB SC
Front panel, W x H x D	410 x 286 x 8 mm	410 x 286 x 8 mm
Cut out dimensions, W x H	394 x 270 mm	394 x 270 mm
Mounting depth	53 mm (153 mm including clearance)	53 mm (153 mm including clearance)
Standalone mounting	VESA 75 x 75 Note: Maximum screw length for VESA mounting is 4 mm. Usage of longer screws may lead to damage.	VESA 75 x 75 Note: Maximum screw length for VESA mounting is 4 mm. Usage of longer screws may lead to damage.
Front panel seal	IP 65	IP 65
Rear panel seal	IP 20	IP 20
Touch screen material	Polyester on glass, ITO film, resistive	Polyester on glass, ITO film, resistive
Frame overlay	Autoflex EBA 180L	Autoflex EBA 180L
Touch screen operations	1 million finger touch operations	1 million finger touch operations
Reverse side material	Powder-coated aluminum	Powder-coated aluminum
Frame material	Powder-coated aluminum	Powder-coated aluminum
Weight	3.85 kg	3.85 kg
CPU	i.MX6DualLite Dual Cortex-A9 1.0 GHz 512 kB L2 cache	i.MX6Quad Quad ARM Cortex-A9 1.0 GHz 1 MB L2 cache
Serial port for COM1 RS232, COM2 RS422/RS485 and COM3 RS485	9-pin D-sub contact with RS232 RTS/CTS, chassis-mounted female with standard locking screws 4-40 UNC	9-pin D-sub contact with RS232 RTS/CTS, chassis-mounted female with standard locking screws 4-40 UNC
Ethernet LAN A	10/100 Mbit/s (shielded RJ45)	EtherCAT 10/100 Mbit/s (shielded RJ45)
Ethernet LAN B	10/100 Mbit/s (shielded RJ45)	10/100 Mbit/s (shielded RJ45)
USB	2 x USB Host 2.0, max output current 500 mA	2 x USB Host 2.0, max output current 500 mA
DIO (outputs, potential free)	N/A	2 x normally open contacts
External storage media	1 x SD card	1 x SD card
Flash memory (application memory)	1.5 GB SSD (eMMC)	1.5 GB SSD (eMMC)
Memory RAM	1 GB (DDR3)	2 GB (DDR3)
NVRAM	N/A	128 kB

Parameter	X2 marine 15 - B2 HB	X2 marine 15 - B2 HB SC
LED	1 × Multi color	1 × Multi color
Real time clock	Yes	Yes
Battery	Lithium battery type BR 2032, exchangeable	Lithium battery type BR 2032, exchangeable
Power consumption at rated voltage	33.6 W	33.6 W
Fuse	Internal DC fuse, 4 AT, 5 × 20 mm	Internal DC fuse, 4 AT, 5 × 20 mm
Power supply	+24 V DC (18 to 32 V DC) CE: The power supply must conform with the requirements according to IEC 60950 and IEC 61558-2-4. UL and cUL: The power supply must conform with the requirements for class II power supplies.	+24 V DC (18 to 32 V DC) CE: The power supply must conform with the requirements according to IEC 60950 and IEC 61558-2-4. UL and cUL: The power supply must conform with the requirements for class II power supplies.
Display	TFT-LCD with LED backlight 1280 × 800 pixels, 262k colors	TFT-LCD with LED backlight 1280 × 800 pixels, 262k colors
Active area of display, W × H	331.2 x 207 mm	331.2 x 207 mm
Pixel errors	Class I (ISO 9241-307)	Class I (ISO 9241-307)
Backlight brightness	1000 cd/m ²	1000 cd/m ²
Backlight lifetime	30,000 hours	30,000 hours
Operating temperature	-10 °C to +60 °C	-10 °C to +60 °C
Storage temperature	-20 °C to +70 °C	-20 °C to +70 °C
Relative humidity in operation	5% - 85% non-condensed	5% - 85% non-condensed
Vibration	1g, according to IEC 60068-2-6, Test Fc	1g, according to IEC 60068-2-6, Test Fc
Mechanical shock	15g, half-sine, 11ms according to IEC60068-2-27	15g, half-sine, 11ms according to IEC60068-2-27
Approvals and certifications	CE / FCC / KC Information is available on www.beijerelectronics.com	CE / FCC / KC Information is available on www.beijerelectronics.com

Parameter	X2 marine 15 - B2 HB	X2 marine 15 - B2 HB SC
UL approval	Yes, information available at UL.com	Yes, information available at UL.com
Marine certificates	Information is available on www.beijerelectronics.com	Information is available on www.beijerelectronics.com

Parameter	X2 pro 21 - B2
Front panel, W x H x D	556 x 347 x 8 mm
Cut out dimensions, W x H	539 x 331 mm
Mounting depth	57 mm (157 mm including clearance)
Standalone mounting	VESA 75 x 75 Note: Maximum screw length for VESA mounting is 4 mm. Usage of longer screws may lead to damage.
Front panel seal	IP 66
Rear panel seal	IP 20
Touch screen material	Polyester on glass, ITO film, resistive
Frame overlay	Autoflex EBA 180L
Touch screen operations	1 million finger touch operations
Reverse side material	Powder-coated aluminum
Frame material	Powder-coated aluminum
Weight	3.85 kg
CPU	i.MX6Quad Quad ARM Cortex-A9 1.0 GHz 1 MB L2 cache
Serial port for COM1 RS232, COM2 RS422/RS485 and COM3 RS485	9-pin D-sub contact with RS232 RTS/CTS, chassis-mounted female with standard locking screws 4-40 UNC
Ethernet LAN A	10/100 Mbit/s (shielded RJ45)
Ethernet LAN B	10/100 Mbit/s (shielded RJ45)
USB	2 x USB Host 2.0, max output current 500 mA
DIO (outputs, potential free)	N/A
External storage media	1 x SD card
Flash memory (application memory)	1.5 GB SSD (eMMC)
Memory RAM	2 GB (DDR3)
NVRAM	128 kB
LED	1 x Multi color
Real time clock	Yes

Parameter	X2 pro 21 - B2
Battery	Lithium battery type BR 2032, exchangeable
Power consumption at rated voltage	45.6 W
Fuse	Internal DC fuse, 4 AT, 5 × 20 mm
Power supply	+24 V DC (18 to 32 V DC) CE: The power supply must conform with the requirements according to IEC 60950 and IEC 61558-2-4. UL and cUL: The power supply must conform with the requirements for class II power supplies.
Display	TFT-LCD with LED backlight 1920 × 1080 pixels, 16.7 million colors
Active area of display, W × H	476.64 x 268.11 mm
Pixel errors	Class I (ISO 9241-307)
Backlight brightness	250 cd/m ²
Backlight lifetime	50,000 hours
Operating temperature	0 °C to +50 °C
Storage temperature	-20 °C to +70 °C
Relative humidity in operation	5% - 85% non-condensed
Vibration	1g, according to IEC 60068-2-6, Test Fc
Mechanical shock	15g, half-sine, 11ms according to IEC60068-2-27
Approvals and certifications	CE / FCC / KC Information is available on www.beijer-electronics.com
UL approval	Yes, information available at UL.com
Marine certificates	Information is available on www.beijer-electronics.com

5 Chemical Resistance

5.1 Metal Casing

The frame and casing material is powder-coated aluminum. This powder paint withstands exposure to the following chemicals without visible change:

Acetic acid 10%	Phosphoric acid 4%
Citric acid 10%	Phosphoric acid 10%
Diesel	Sea water
Distilled water	Sodium chloride 2%
Edible oil	Sodium chloride 20%
Fuel oil	Sulphuric acid 20%
Hydrogen peroxide 3%	Tap water

The powder paint shows limited resistance to the following chemicals at room temperature:

Butanol	Nitric acid 3%
Hydrochloric acid 5%	Nitric acid 10%
Isopropyl alcohol	Phosphoric acid 43%
Sodium hypochlorite 10%	Turpentine

Note:

If exposure to any of the above chemicals is demanded, it is recommended to first test the chemical in a hidden spot of the metal casing.

The powder paint shows little or no resistance to the following chemicals at room temperature:

Acetic acid, conc.	Methyl-ethyl ketone	Toluene
Acetone	Nitric acid 30%	Trichlorethylene
Ammonia 5%	Phenol	Xylene
Ammonia, conc.	Sodium hydroxide 5%	97 octane unleaded petrol
Ethyl acetate	Sodium hydroxide 30%	98 octane leaded petrol

5.2 Touch Screen and Overlay Material

5.2.1 Autoflex EBA 180L

Autoflex EBA 180L covers the overlay surrounding the screen.

Solvent Resistance

Autoflex EBA 180L withstands exposure of more than 24 hours duration under DIN 42 115 Part 2 to the following chemicals without visible change:

Acetonitrile	Diesel	Petroleum spirit ⁽¹⁾
Ajax / Vim in solution	Downy / Lenor ⁽¹⁾	Phosphoric acid (<30%)
Alkalicarbonat solution ⁽¹⁾	Ethanol	Potassium ferricyanide
Ammonia (<40%) ⁽¹⁾	Glycerine	Potassium hydroxide (<30%)
Acetic acid (<50%)	Glycol	Pure Turpentine
Ariel powder in solution ⁽¹⁾	Gumption ⁽¹⁾	SBP 60/95 ⁽¹⁾
Bleach ⁽¹⁾	Hydrochloric acid (<36%)	Sulfuric acid (<10%)
Castor oil	Linseed oil	Tomato ketchup
Caustic soda (<40%) ⁽¹⁾	Methanol	Trichloroacetic acid (<50%)
Cutting oil	Nitric acid (<10%)	White Spirit
Cyclohexanol	Paraffin oil	Windex ⁽¹⁾
Diacetone alcohol	Persil powder in solution ⁽¹⁾	

⁽¹⁾ Extremely faint glossing of the texture was noted.

Autoflex EBA 180L withstands DIN 42 115 Part 2 exposure of up to 1 hour duration to glacial acetic acid without visible change.

Autoflex EBA 180L is not resistant to high pressure steam at over 100 °C or the following chemicals:

Concentrated mineral acids	Benzyl alcohol
Concentrated caustic solution	Methylene chloride

5.2.2 Touch Screen Surface (for 10", 12" and 15" Panels)

The touch screen surface on the operator panel withstands exposure to the following solvents without visible change:

The screen surface on the operator panel withstands exposure to the following solvents without visible change:

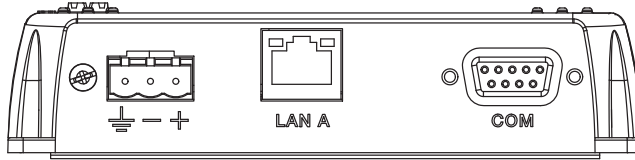
Solvents	Time
Acetone	10 minutes
Isopropanol	10 minutes
Toluene	5 hours

5.2.3 Touch Screen Protector

For harsh environments and exposure to outdoor conditions, it is recommended to use a protective film to guard the touch screen from damage. This optional part can be ordered from Beijer Electronics.

6 Operator Panel Drawings

6.1 Connectors

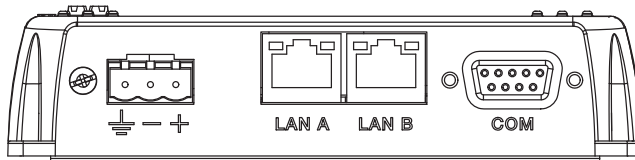


X2 pro 4 - B2

X2 pro 7 - B2

X2 marine 7 - B2

Pos.	Connector	Description
1	Power supply	+24 V DC (18-32 V DC)
2	LANA	1 x 10/100Base-T (shielded RJ45)
3	COM	Serial communication port



X2 control 4 - B2

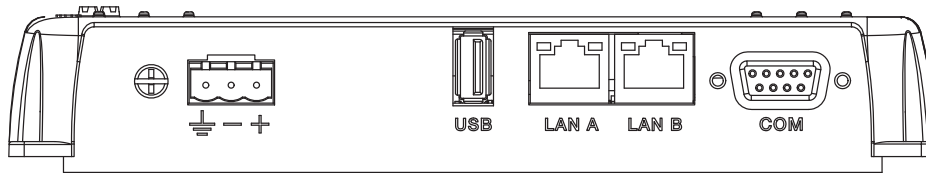
X2 motion 4 - B2

X2 control 7 - B2

X2 motion 7 - B2

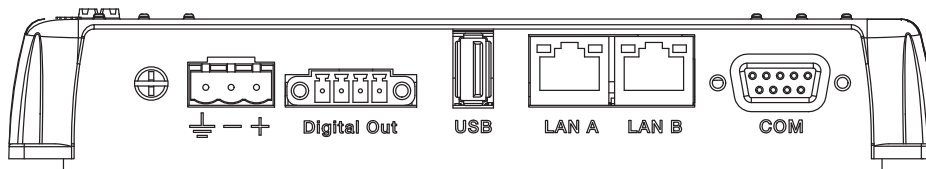
X2 marine 7 - B2 SC

Pos.	Connector	Description
1	Power supply	+24 V DC (18-32 V DC)
2	LANA	1 x 10/100Base-T (shielded RJ45)
3	LANB	1 x 10/100Base-T (shielded RJ45)
4	COM	Serial communication port



X2 pro 10 - B2
X2 pro 12 - B2
X2 pro 15 - B2
X2 marine 15 - B2
X2 marine 15 - B2 HB

Pos.	Connector	Description
1	Power supply	+24 V DC (18-32 V DC)
2	USB	USB Host 2.0, max output current 500 mA
3	LAN A	10/100 Base-T (shielded RJ45)
4	LAN B	10/100 Base-T (shielded RJ45)
5	COM	Serial communication port



X2 marine 7 - B2 HB
X2 marine 7 - B2 HB SC
X2 control 10 - B2
X2 motion 10 - B2
X2 control 12 - B2
X2 motion 12 - B2
X2 control 15 - B2
X2 motion 15 - B2
X2 marine 15 - B2 SC
X2 marine 15 - B2 HB SC
X2 pro 21 - B2

Pos.	Connector	Description
1	Power supply	+24 V DC (18-32 V DC)
2	Digital Out	2 x normally open contacts
3	USB	USB Host 2.0, max output current 500 mA
4	LAN A	10/100 Base-T (shielded RJ45)
5	LAN B	10/100 Base-T (shielded RJ45)
6	COM	Serial communication port

6.2 Communication Ports

Pin	Serial port, 9-pin female		
	COM1	COM2	COM3
1	-	RS422 Tx+ RS485 Tx+/Rx+	-
2	RS232 RxD	-	-
3	RS232 TxD	-	-
4	-	RS422 Rx+	RS485 Tx+/Rx+
5	GND	GND	-
6	-	RS422 Tx- RS485 Tx-/Rx-	-
7	RS232 RTS	-	-
8	RS232 CTS	-	-
9	-	RS422 Rx-	RS485 Tx-/Rx-

Note:

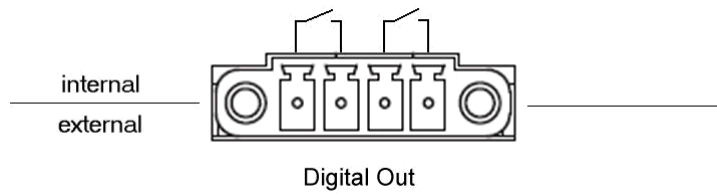
In order to utilize two communication ports, the Y-split cable CAB109 must be used.

In order to utilize three communication ports the split cable CAB150 must be used.

To use 232+422, use CAB 109.

To use 232+485, use CAB 150.

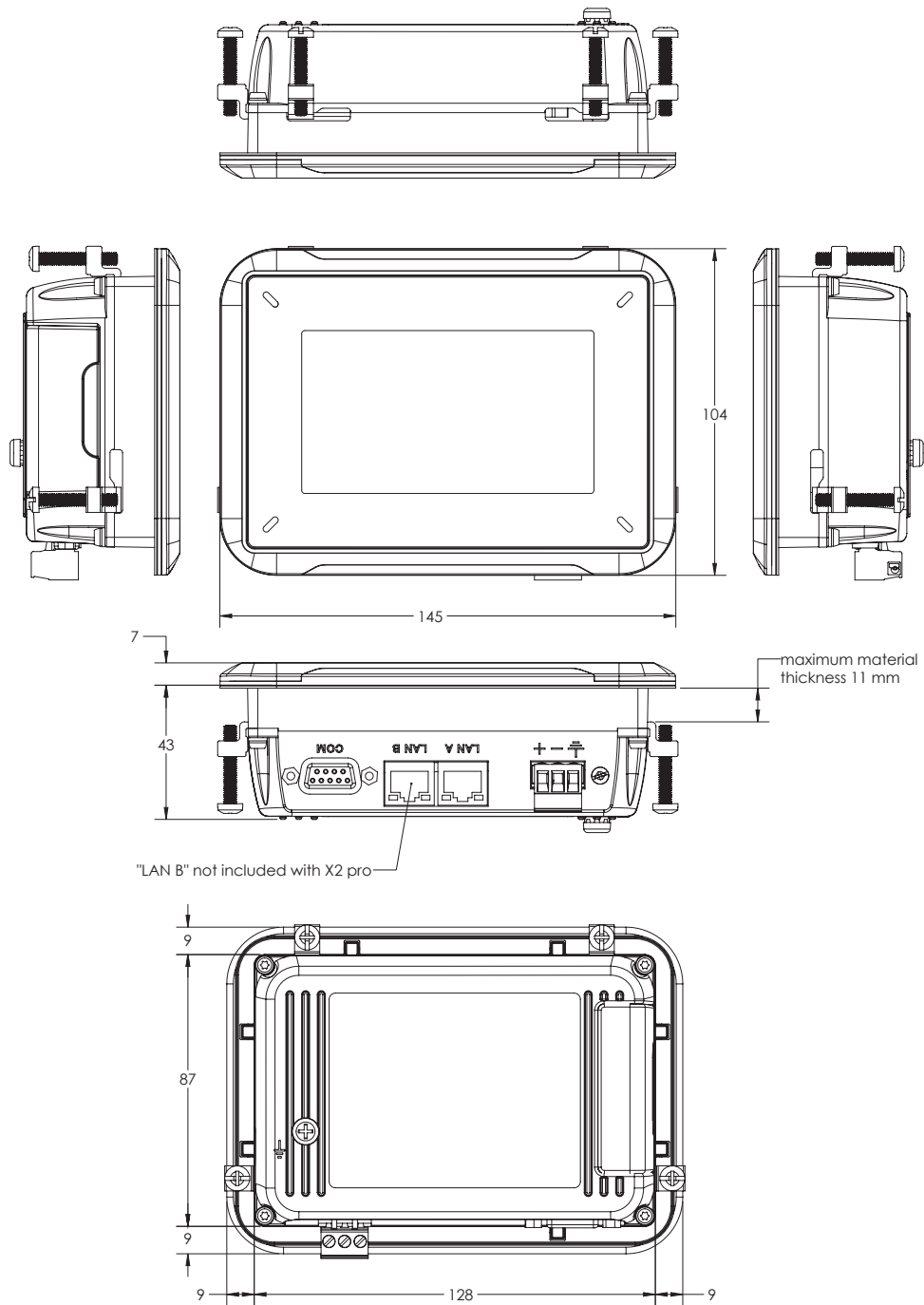
6.3 Digital Outputs



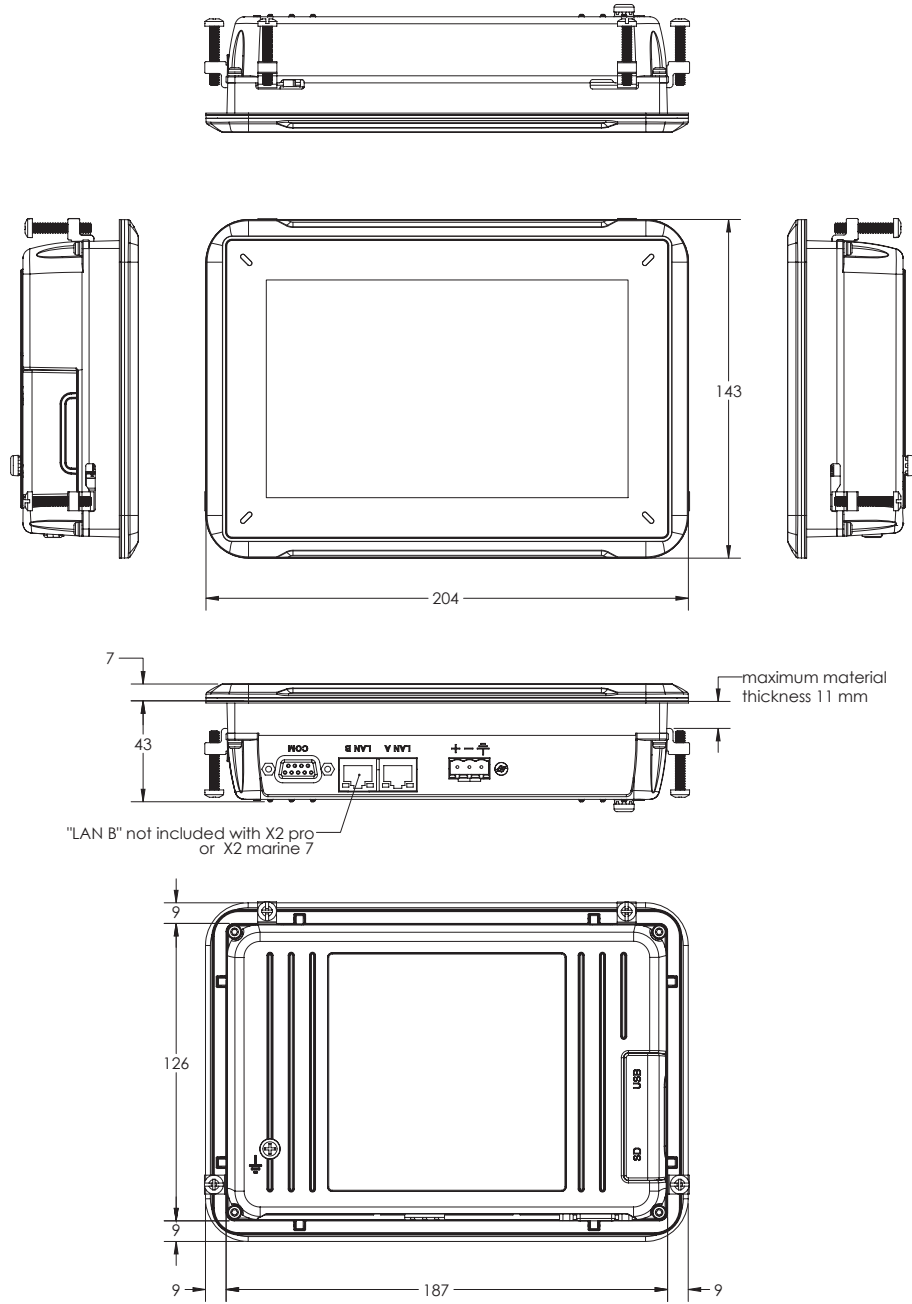
Ratings	
Maximum supply voltage	32.0V (DC) / 22Vrms (AC)
Maximum load current	0.5A (DC) / 0.5Arms (AC)

Isolation	
Channel to Channel	1000V (DC) / 550Vrms (AC)
Channel to System	1000V (DC) / 550Vrms (AC)

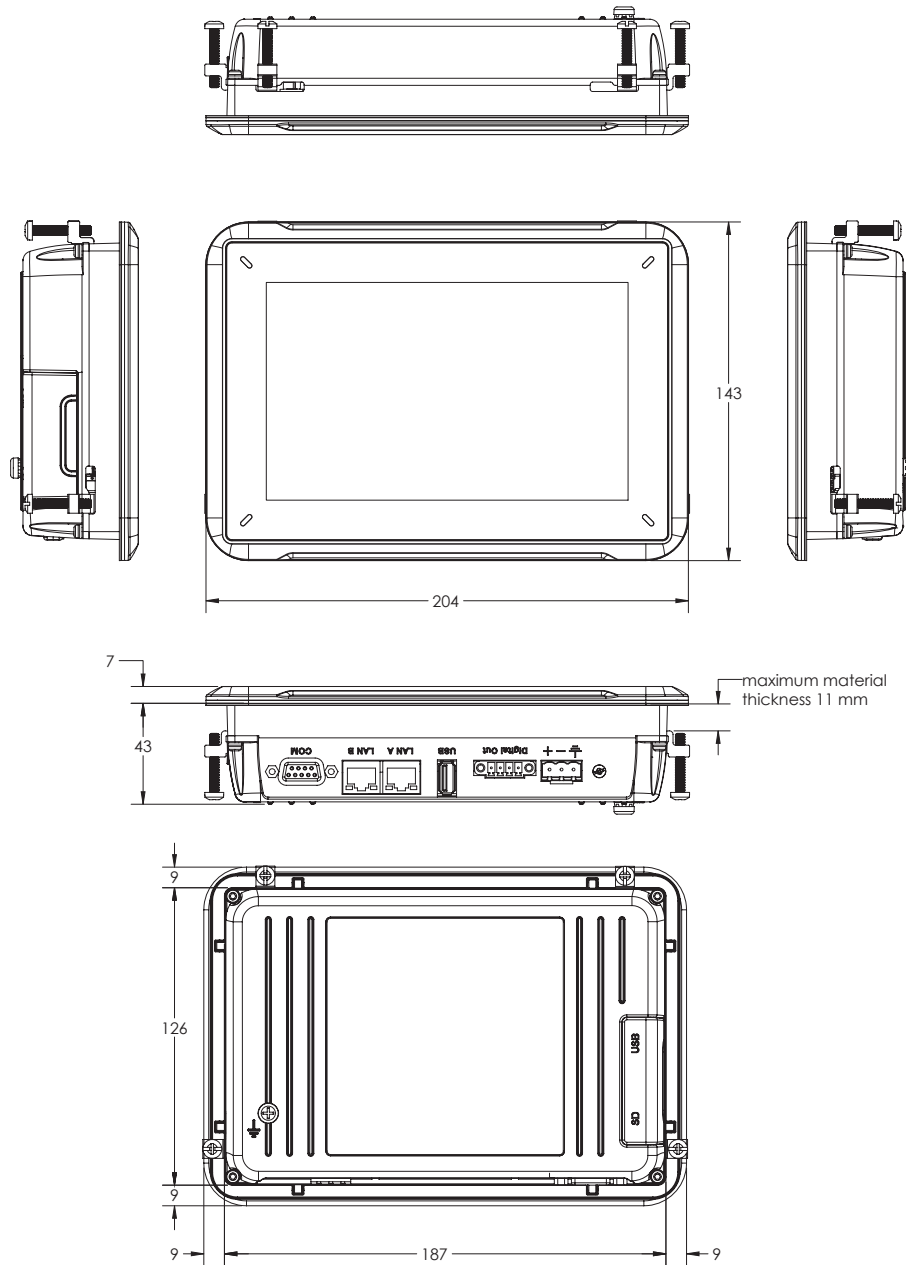
6.4 X2 Outline



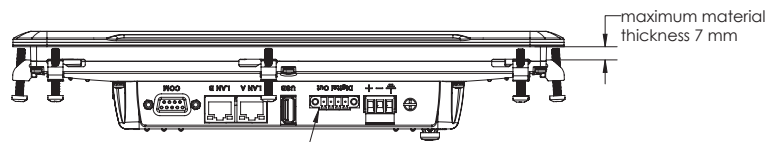
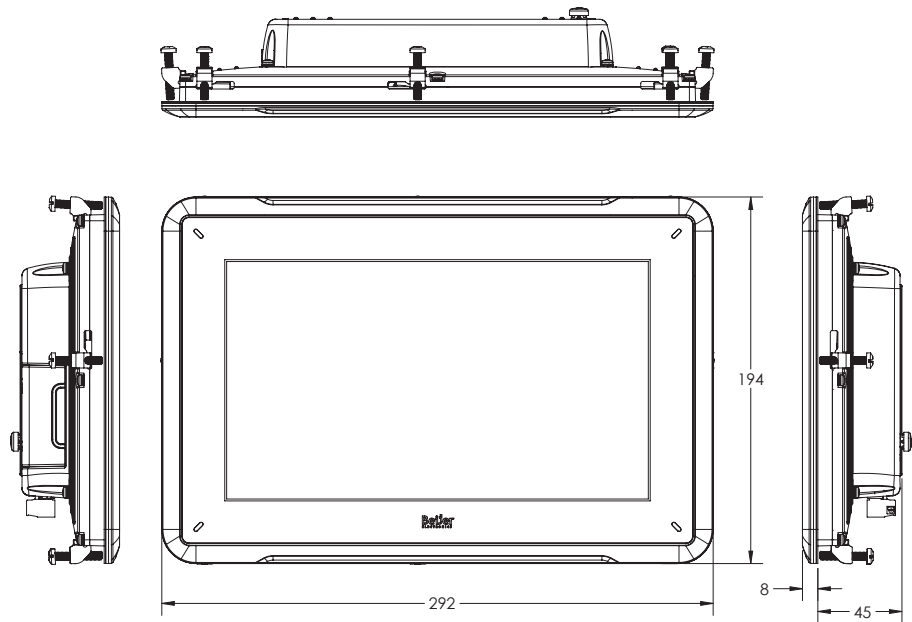
X2 pro 4 - B2
X2 control 4 - B2
X2 motion 4 - B2



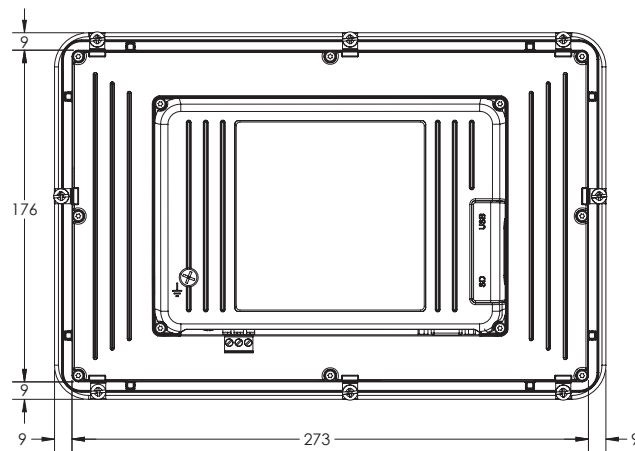
- X2 pro 7 - B2*
- X2 control 7 - B2*
- X2 motion 7 - B2*
- X2 marine 7 - B2*
- X2 marine 7 - B2 SC*



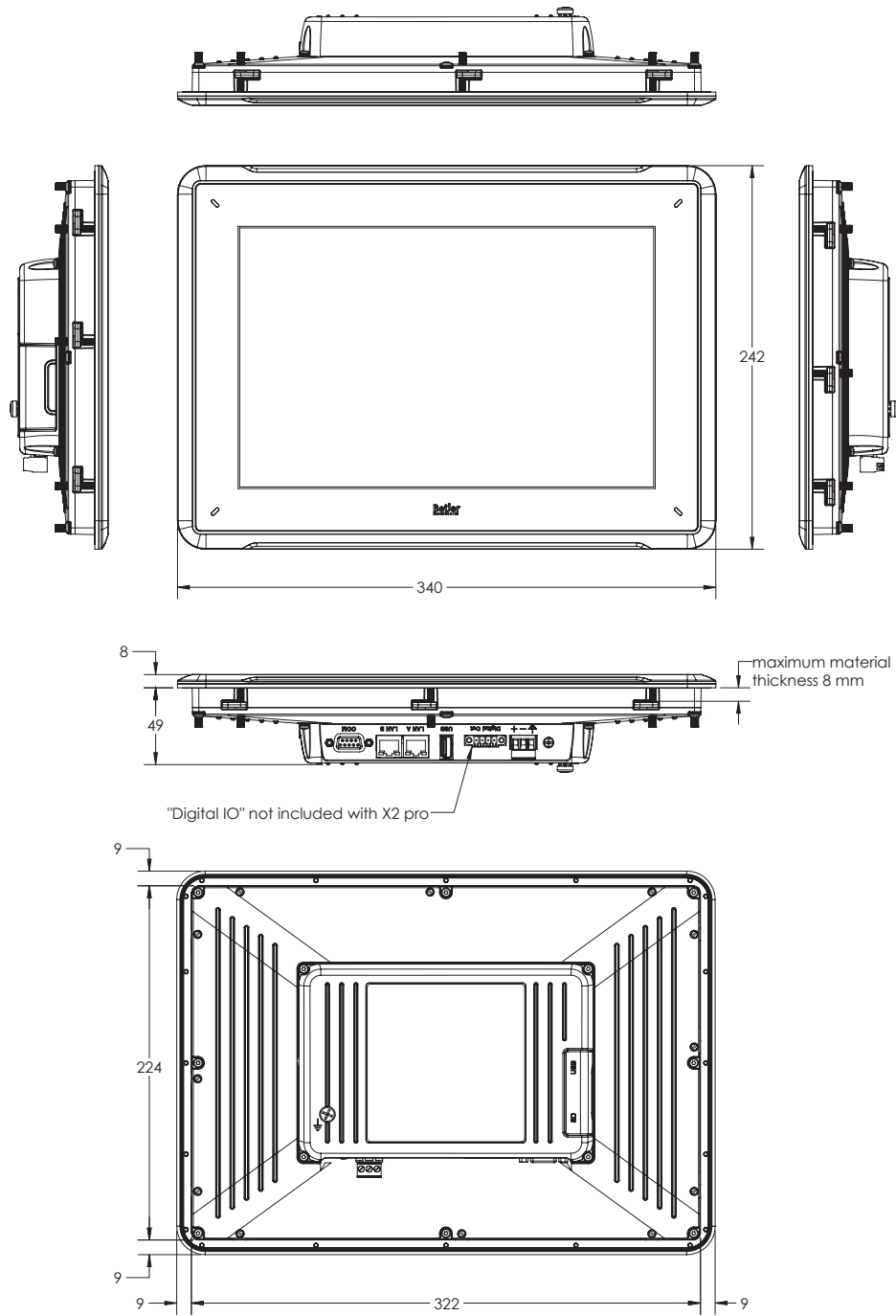
X2 marine 7 - B2 HB
X2 marine 7 - B2 HB SC



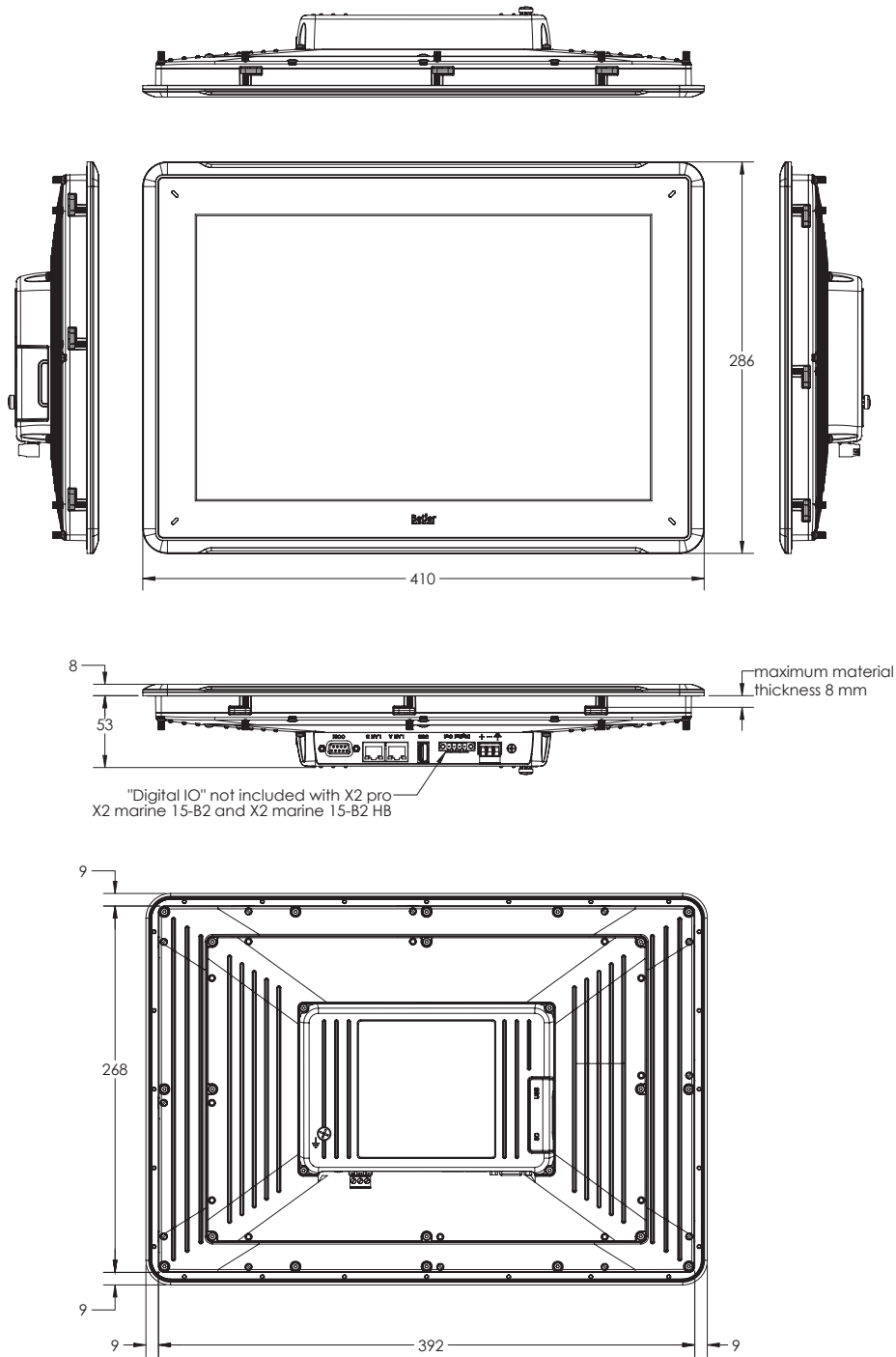
"Digital IO" not included with X2 pro



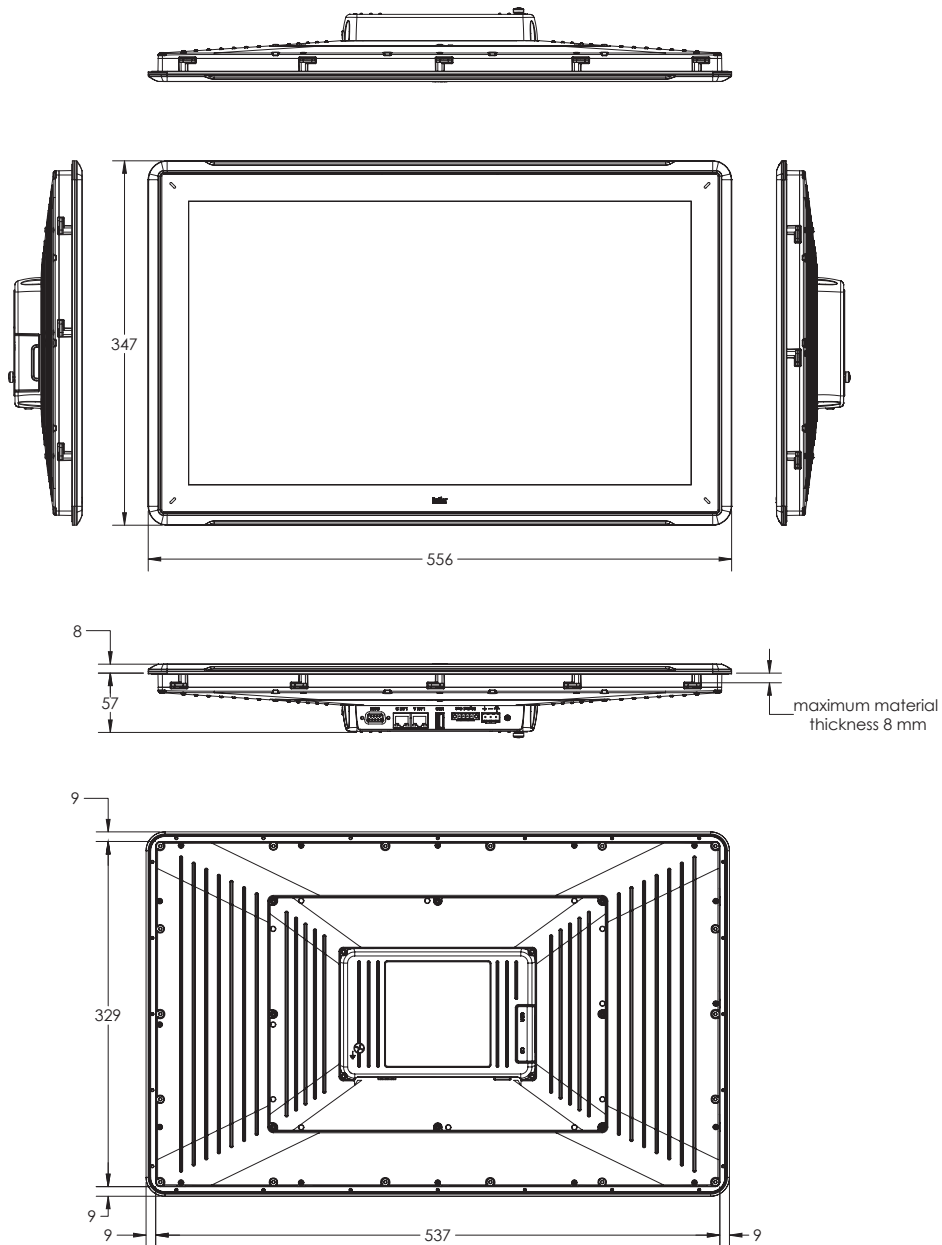
X2 pro 10 - B2
X2 control 10 - B2
X2 motion 10 - B2



X2 pro 12 - B2
X2 control 12 - B2
X2 motion 12 - B2



- X2 pro 15 - B2*
- X2 control 15 - B2*
- X2 motion 15 - B2*
- X2 marine 15 - B2*
- X2 marine 15 - B2 SC*
- X2 marine 15 - B2 HB*
- X2 marine 15 - B2 HB SC*



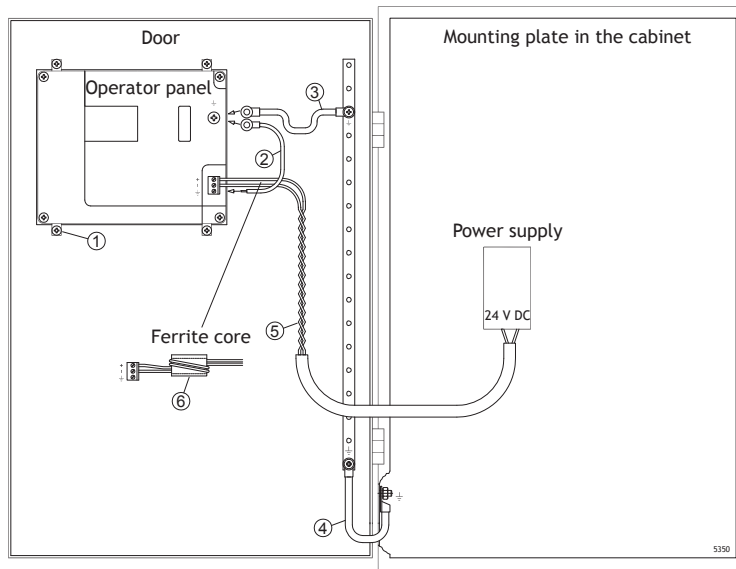
X2 pro 21 - B2

Note:
A Step CAD file is available on the web site www.beijerelectronics.com

7 Additional Installation Tips

When experiencing communication problems in for example noisy environments or when operating close to temperature limits, the following recommendations are to be noticed.

7.1 Grounding the operator panel



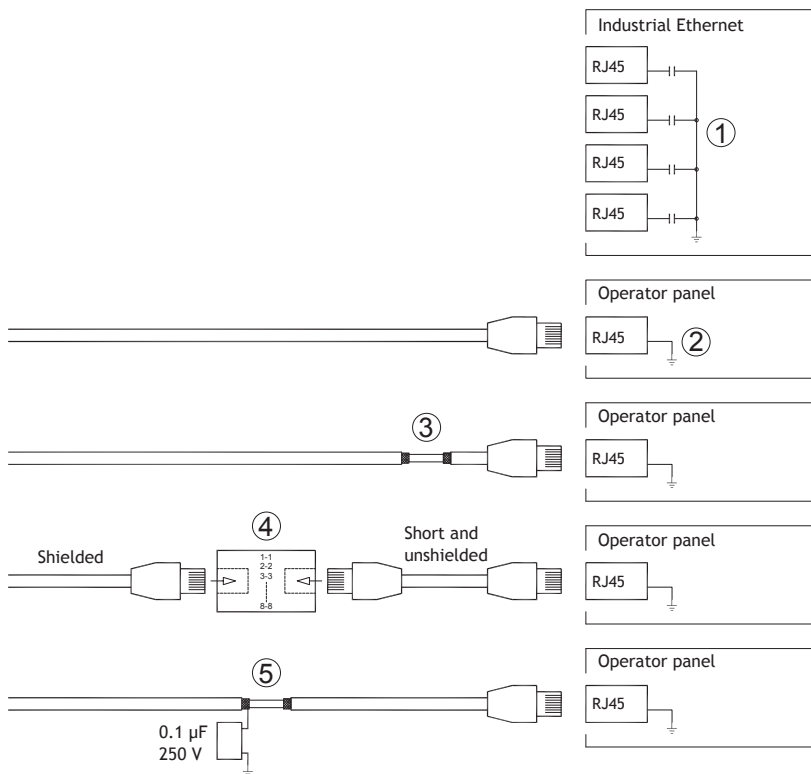
The mounting clamps of the operator panel do not provide a secure grounding connection between the panel and the device cabinet, see 1 in drawing above.

1. Connect a wire, that is sized correctly according to local electrical codes, between the quick-connect terminal connector on the operator panel and the chassis of the panel, see 2 in drawing above.
 2. Connect a wire or grounding braid, that is sized correctly according to local electrical codes, between the chassis of the operator panel and the closest grounding point on the door, see 3 in drawing above.
 3. Connect a strong but short grounding braid between the door and the device cabinet, see 4 in drawing above.
 4. Twist the cables onto the 24 V DC feed, see 5 in drawing above.
 - 2 turns around the ferrite core provide 4 times the suppression of 1 turn.
 - 3 turns around the ferrite core provide 9 times the suppression of 1 turn.
- A ferrite core suppresses disturbances to the 24 V feed, see 6 in drawing above.

Note:

The grounding wires should be short and the conductor should have a large area. A long, thin grounding wire has a very high impedance (resistance) at high frequencies and does not guide disturbances to the ground. Multi-wire conductors are better than single wire conductors with the same area. A braided conductor wire with the same area is even better. The best is a short, thick grounding braid.

7.2 Ethernet Connection in the Operator Panel



In some industrial units for Ethernet, the RJ45 contact's shield is connected to the chassis via a capacitor, see 1 in drawing above.

The operator panel's Ethernet shield is directly connected to the chassis, see 2 in drawing above.

1. Check whether the other Ethernet unit has its shield directly grounded or grounded via a capacitor.

Note:

In many cases, connecting the shielded Ethernet cabling to the chassis at both ends is inappropriate. Hum or grounding loops can occur. Unshielded cabling may even result in fewer communication errors.

A good solution may be to use a shielded Ethernet cable, but to connect the shield at one end only.

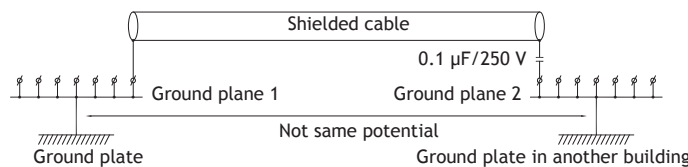
One option is to break the shield, see 3 in drawing above.

A more elegant method is to expand the shielded Ethernet cabling with a piece of unshielded Ethernet cable, see 4 in drawing above.

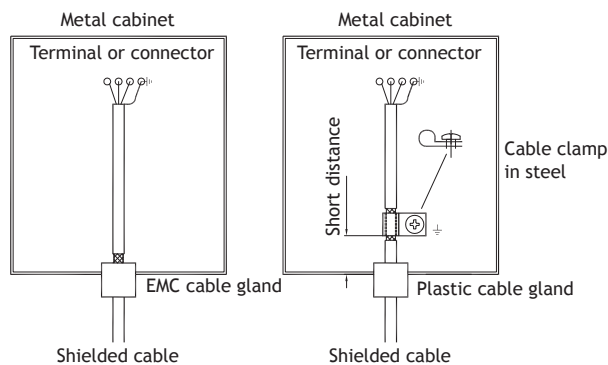
The shield can be grounded via an external 0.1 μF /250 V plastic capacitor, see 5 in drawing above. This connects the HF transients to ground.

7.3 To Achieve Better EMC Protection

- Initially, use the original cabling from Beijer Electronics primarily.
- Use shielded cables for RS232 communication.
- Use twisted pair and shielded cabling for RS422 and RS485.
- Use the cabling intended for the bus type; Ethernet, Profibus, CC-Link, CAN, Device Net etc.
- Install and connect according to applicable specifications for the relevant bus standard.
- Use shielded cabling for Ethernet, preferably with foil and a braided shield.
- D-sub covers should be shielded, and the shield should be connected to the cover 360° where the cable enters.
- Connect the shield at both ends.



With longer distances, there is a risk that the ground potential may be different. In that case, the shield should only be connected at one end. A good alternative is to connect the other end of the shield to the ground via a $0.1 \mu\text{F}/250 \text{ V}$ plastic capacitor. Both ends are then connected to the ground in terms of HF, but only connected to the ground at one end in terms of LF, thus avoiding the 50/60 Hz grounding loops.

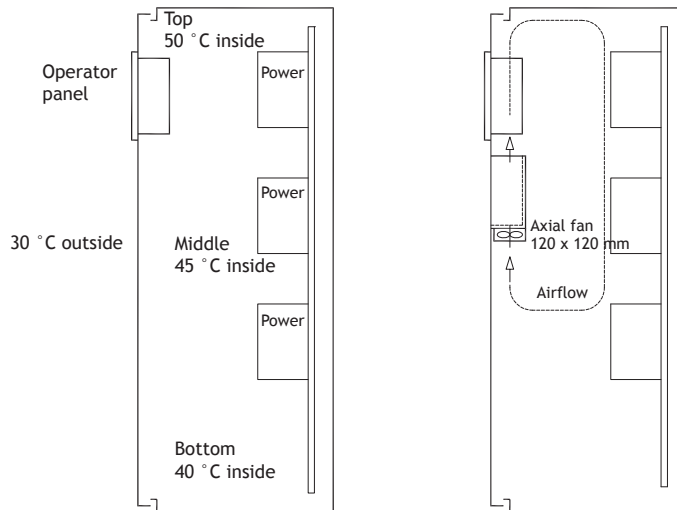


1. Use an EMC cable gland or regular plastic cable gland, remove the outer jacket and connect the shield to the installation plate with a 360° metal cable clamp.
2. Place the 24 V DC and communications cabling in one cable trunk/cable duct and 230/380 V AC in another. If the cables need to be crossed, cross them at 90° only. Avoid combining the cabling for stronger 24 V DC outputs with the communication cabling.

Ferrite cores that are snapped onto the shielded cabling may remove minor disturbances. Large ferrite pieces that are snapped onto unshielded cabling and where the wires go 2-4 times around the cores are approximately 5-25 times more efficient.

7.4 Ambient Temperature

The maximum ambient temperature for the operator panel is provided in the specifications. The ambient temperature refers to the temperature in the device cabinet which cools the operator panel's electronics.



In most cases, the ambient temperature for the operator panel is significantly higher than the device cabinet's ambient temperature.

If the cabinet is tall and there are a number of heat-generating devices, the temperature at the top of the cabinet is considerably higher than the temperature increase that would be expected. All electronics are sensitive to heat. The lifespan of an electrolytic capacitor is cut in half with an 8-10 °C increase in temperature. A 15-20 °C temperature increase results in a quarter of the lifespan etc.

Rittal has a good program for estimating the anticipated average temperature in the cabinet as well as a large program for controlling the temperature in the device cabinet.

An enamel-coated steel cabinet has a radiant heat value of 5.5 W/m² and degrees C.

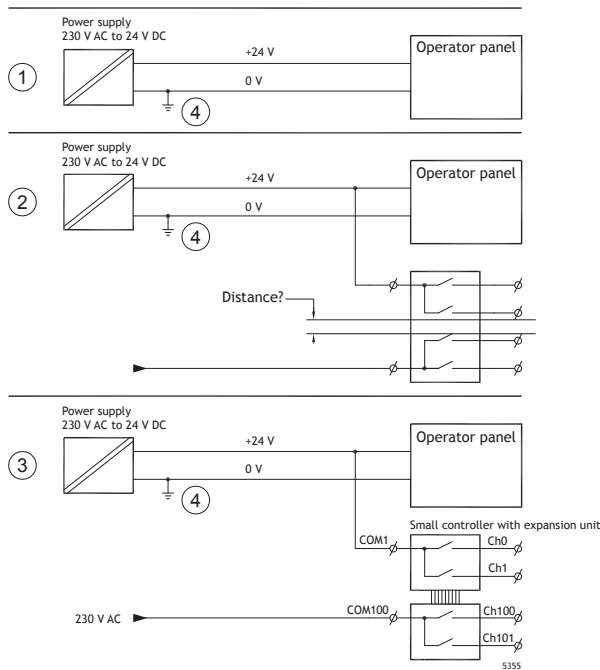
Installing a fan inside the cabinet evens out the temperature, while moving air provides considerably better cooling than still air.

Install the fan so that it sits in a cooler area and blows cold air against the operator panel. If the fan is mounted at the top and sucks warm air upwards, the ambient temperature of the fan becomes higher, resulting in a shorter lifespan.

An approximate value of the net power consumption for the operator panel can be calculated by multiplying the supply voltage with the current drawn by the operator panel. This is assuming that all supplied power is transformed to heat.

7.5 Safety

Most of the operator panels are fed with 24 V DC.



If a power supply that meets safety standards is used and only feeds the operator panel, there is no problem. See 1 in drawing above.

However, if a 24 V unit that also feeds other units is used, there is reason to be cautious, see 2 in drawing above. The operator panel does not have insulation that meets safety requirements in the event of a potential short circuit between 230 V AC and 24 V DC. It is assumed that the 24 V feed is secure, for example, SELV according to EN 60950 (protection against electric shock) and UL 950.

Note:

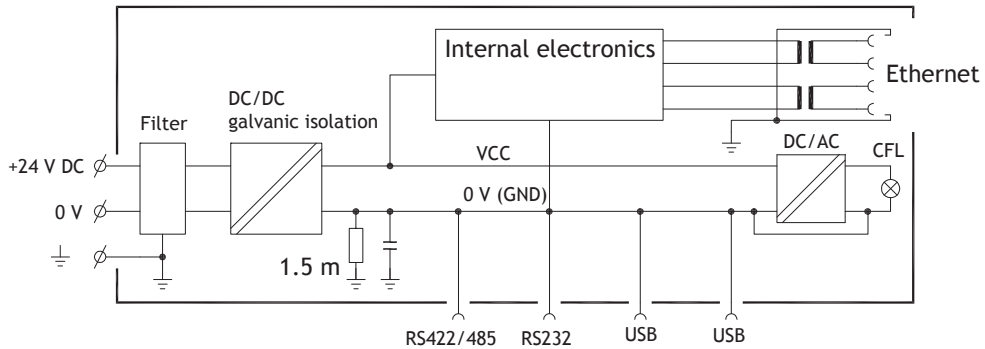
Here is an example that explains why a secure 24 V DC feed can be ruined by mixing 24 V relay contacts with 230 V AC relay contacts in a smaller controller. Check that the clearances and creepage distances between 24 V DC and 230 V AC fulfill EN 60950 or UL 950. If not, input a separate 24 V unit into the operator panel.

If there is a substantial distance between the relay contacts for 24 V DC and 230 V AC, it is OK to use the same 24 V devices for all feeds. See 3 in drawing above.

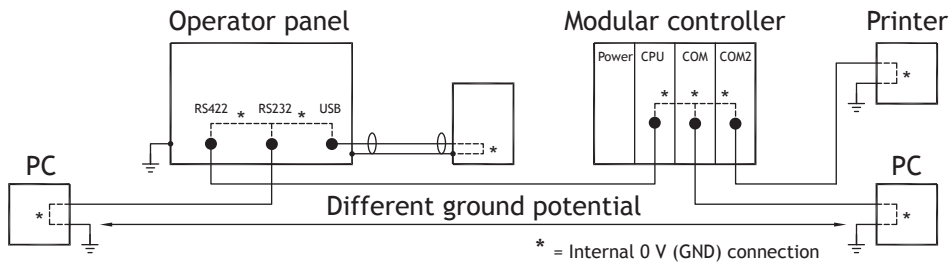
Connect 0 V on the 24 V feed to the ground, see 4 in drawing above. This offers three advantages:

- Safety is increased. The 24 V feed is not live in the event of a faulty connection or short circuit between 0 V (24 V) and 230 V phase.
- Transients on the 24 V feed are connected to the ground.
- No risk that the 24 V feed is at a high level in relationship to the ground. This is not unusual since there is high static electricity.

7.6 Galvanic Isolation



The operator panel has galvanic isolation against the 24 V DC feed but no galvanic isolation between the communication ports for RS232, RS422/485 and USB. Only the Ethernet connection has galvanic isolation.



When a PC is connected to the operator panel, the internal 0 V (GND) of the panel is connected to the protective ground via the PC.

A number of USB devices can have the shield connected together with the protective ground. Here, the 0 V (GND) of the operator panel is connected to the protective ground when, for example, a USB memory stick, keyboard, or similar device is plugged in.

If a number of units are connected that have a 0 V and a ground connection, and these are connected to various grounding points, there is a substantial risk of problems. Grounding currents go through communication cables, the rear plate of the controller, and internally in the operator panel, and can cause errors.

Use external units to improve communication and achieve galvanic isolation. Westermo has good industry-standard insulators that are also insulated from the 24 V DC feed.

Note:

It is very important to make sure that the 24 V feed in the external insulation unit is not connected to one of the communication outlets. If it does not have 100% insulation against the 24 V feed, disturbances and grounding currents from the 0 V on the 24 V side disrupts the communication.

Using this type of unit solves one problem but creates a larger problem! A substandard installation may work now, but problems may arise when other devices are connected.

7.7 Cable and Bus Termination RS485

- If maximum transfer distance and maximum transfer speed is needed, shielded and twisted pair cable should be used. The mutual capacitance may not exceed 52.5 pF/m, and the cable area should be at least 0.25 mm² (AWG 24).
- 0 V, the reference voltage for communication should be included in the cabling. With two-way communication use two pairs; one pair for communication and one pair for 0 V.
- The shield must be grounded at one end. The other end is usually grounded, but with longer distances or when there is a difference in the ground potential, the shield should be connected to the ground via 0.1 µF/250 V plastic capacitor to prevent ground current in the braided shield. A number of manufacturers recommend that the shield be grounded at each node. Various manufacturers have different systems for bus termination.

Depending on the recipients' design, the bus wires may be on the same level or require pull-up or pull-down to ensure that no faulty signals are detected when the bus is in resting mode (all transmitters are disconnected).

Beijer

ELECTRONICS

Head office

Beijer Electronics AB

Box 426

201 24 Malmö, Sweden

www.beijerelectronics.com / +46 40 358600